



**PERSONAL  
PROTECTIVE  
EQUIPMENT**

# INDEX

Safety Shoes	4
Basic Boots	24
Head Protection	25
Visual Protection	30
Hearing Protection	35
Respiratory Protection	38
Back Protection	42
Touch Protection	45
Body Protection	55
Extinguishers and Signaling	66
Uniforms	79
Fall Protection	85
Antistatic	94
Accessories and Cleaning	97

## Symbology



Steel Toe



Anti-Static



Polyamide Toe



Abrasion Resistant



Anti-slip



Thermal Padded with textile lining high friction resistance



EEE wide excellent comfort, support and durability



Sole and Insole anti-fatigue with shock absorber



Resistant oil, acid, grease, solvent



Dielectric

# FOOTWEAR CARE



## PROPER MAINTENANCE:

Clean with a damp cloth and do not use solvents. Use special oil or grease for nappa leathers or dark. Use a sponge or a dry brush for the skin. Clean the sole with water and retouching pigments can be used.



## SKIN MAINTENANCE:

The skin of the boot should be kept in an intermediate between totally dry and moisturized, on the one hand, if it does not have enough moisture, the skin will crack, plus flexibility is affected. On the other hand excessive humidity can deform it.



## KEEP THE CLEANLINESS:

Clean footwear at least once a week. Dust dirt and spills can erode the surface of your footwear and reduce its useful life. Clean the stains with a damp paper towel and moisturizing soap. Let them dry naturally or use some method to dry them faster.



## AVOID HUMIDITY:

Always keeping the inside of the footwear dry prevents infections, fungi and bacteria. If the footwear has removable insole, dry it and replace it again; if possible, use talcum powder. If the footwear gets wet completely, it is recommended to insert the newspaper all over the inside of the shoe and dry in a place free from light and air, once dry use a correspondent cream.



## CORRECT SELECTION:

Tell your sales consultant about the job you do day by day, in order to offer you the best option according to your needs.

## RECOMMENDED USES FOR FOOTWEAR WITH MONODENSITY AND DOUBLE DENSITY SOLE

Monodensity sole shoes are recommended for low abrasive surfaces, light industrial use. Avoid extreme use.



### MONODENSITY SMOOTH FLOORS

Ideal for jobs where stands for a long time, for example cleaning staff, cleaning agents security, and counter service since they are usually lighter. They are recommended for smooth floors and low abrasive surfaces.



### DOUBLE DENSITY IRREGULAR FLOORS

Ideal footwear for uneven terrain and defense tasks, firefighters and jobs heavy jobs. Provides greater resistance to abrasion and hydrolysis and therefore a longer service life, in addition to having better properties insulating from cold and heat. Allows you to combine resistance with flexibility and durability with comfort.

**LICA®**



**SAFETY**  
**SHOES**



125



**NEW**

**Item:** 125  
**Color:** Black with yellow details  
**Insole:** Comfortable PU insole  
**Lining:** Polyester Mesh  
**Toe cap:** Polyamide  
**Midsole:** Kevlar  
**Upper:** 65% Nubuck leather + 35% gray fabric + 1% reflective tape

**Dielectric:** 14,000 Volts resistant  
**Sole:** Rubber + Eva  
**Size:** 7-12 whole numbers  
Made in China.



112



**NEW**

**Item:** 112  
**Color:** Black with red details  
**Insole:** Comfortable PU insole  
**Lining:** Polyester Mesh  
**Toe cap:** Polyamide  
**Midsole:** Textile  
**Upper:** 90% Non-woven Polyester

**Dielectric:** 14,000 Volts resistant  
**Sole:** Rubber + Eva  
**Size:** 7-12 whole numbers  
Made in China.





116



**NOM**

113 - STPS - 2009



**Item:** 116  
**Color:** Light and dark brown  
**Insole:** Memory Foam  
**Toe cap:** Polyamide  
**Width:** EEE.  
**Lining:** Cowhide and Synthetic P.U.  
**Upper:** Piel Vacuno 55% y Sintetico P.U. 35%  
**Dielectric:** Withstands 14,000 Volts  
**Sole:** PU  
**Manufacturing System:** Glued  
**Size:** 25-30 whole numbers  
**Carton:** 20 pairs



113



**Item:** 113  
**Color:** Black with gray details  
**Insole:** Comfortable PU insole  
**Lining:** Polyester Mesh  
**Toe cap:** Polyamide  
**Lining:** Textile  
**Midssole:** Kevlar  
**Upper:** KPU 30% + 50% Polyester mesh + 20% leather  
**Dielectric:** Withstands 14,000 Volts  
**Sole:** Rubber + Eva  
**Size:** 7-12 whole numbers  
 Made in China.



 **5280NJA**



**Item:** 5280NJA  
**Color:** Black / orange  
**Insole:** PU  
**Toe cap:** Polyamide  
**Width:** EE  
**Lining:** Textile  
**Upper:** Polyester  
**Presentation:** Sneaker  
**Dielectric:** 14,000 Volts resistant  
**Sole:** PU / PU dual density

**Manufacturing System:** Glued  
**Size:** 7-12 whole numbers  
**Carton:** 20 pairs  
 Made in Mexico.



 **118**



**NOM**

113 - STPS - 2009



**Item:** 118  
**Color:** Black with gray and yellow details  
**Insole:** Memory foam  
**Lining:** Polyester Mesh  
**Toe cap:** Polyamide  
**Lining:** Textile  
**Upper:** Synthetic  
**Dielectric:** 14,000 Volts resistant  
**Sole:** PU + Rubber  
**Size:** 25-30 whole numbers



**NOM**  
113 - STPS - 2009

**MX**  
HECHO EN  
MÉXICO



**Item:** 121  
**Color:** Black.  
**Insole:** PU.  
**Toe Cap:** Polyamide.  
**Width:** EEE.  
**Lining:** Textile.  
**Corte:** Bovine

**Dielectric:** 14,000 Volts resistant  
**Sole:** PU Hule.  
**Sizes:** 25-30 whole numbers  
**Carton:** 20 pairs.



**NOM**  
113 - STPS - 2009



**Item:** 123  
**Color:** Gray with black and yellow details.  
**Insole:** Memory Foam  
**Toe cap:** Polyamide  
**Width:** EE  
**Upper:** Leather  
**Presentación:** Borcegui 6"  
**Sole:** TPU- rubber  
**Frabrication System:** Glued  
**Sizes:** 23-30 whole numbers





**COMING SOON**



**NOM**

113 - STPS - 2009



**Item:** 410

**Color:** Gray / Lime Green

**Insole:** Made with 100% recycled materials.

**Lining:** Polyester Mesh

**Toe cap:** Polyamide

**Lining:** Polyester textile

**Upper:** 100% Polyester

**Dielectric:** 14,000 Volts resistant

**Sole:** PU

**Sizes:** 23-30 only whole stitches  
With backpack for easy transport.



**COMING SOON**



**NOM**

113 - STPS - 2009



**Item:** 420

**Color:** Negro

**Insole:** Polyester textile

**Toe cap:** Polyamide

**Lining:** Polyester textile

**Upper:** 100% Polyester

**Dielectric:** 14,000 Volts resistant

**Sole:** PU transparent

**Sizes:** 23-30 whole numbers



**COMING SOON**



**NOM**

113 - STPS - 2009



**Item:** 124

**Color:** Black with gray and yellow accents

**Insole:** Memory Foam

**Toe Cap:** Polyamide.

**Width:** EE

**Linings:** Synthetic mesh

**Upper:** Mesh polyester, cotton, KPU

**Presentation:** Choclo

**Sole:** Black Rhino

**Fabrication System:** Glued

**Sizes:** 23-30 whole numbers

**Carton:** 20 pairs



**COMING SOON**



**NOM**

113 - STPS - 2009



**Item:** 430

**Color:** Black

**Insole:** Polyester textile

**Helmet:** Steel helmet

**Lining:** Polyester textile

**Upper:** 100% Polyester

**Sole:** PU

**Sizes:** 23-30 whole numbers

Made in China.



**COMING SOON**



**Item:** 31036  
**Color:** Black  
**Insole:** Polyurethane.  
**Toe Cap:** Polyamide.  
**Width:** EEE.  
**Lining:** Textile.  
**Upper:** Polyester.

**Presentation:** Sneakers.  
**Dielectric:** 14,000 Volts resistant.  
**Sole:** Double density PU / PU.  
**Manufacturing System:** Glued  
**Size:** 5-12 whole number.  
**Carton:** 20 pairs.  
 Made in Mexico.



**COMING SOON**



**NOM**

113 - STPS - 2009



**Item:** 5820R  
**Color:** Black with red accents  
**Insole:** Memory Foam  
**Toe Cap:** Polyamide.  
**Width:** EE  
**Linings:** Sandwich Mesh Textile.  
**Upper:** Mesh Polyester, Cotton, KPU  
**Presentation:** Borcegui 6 "  
**Dielectric:** 14,000 Volts resistant  
**Sole:** Injected double density PU / TPU.  
**Manufacturing System:** Direct Injection to the cut.  
**Size:** 5-12 whole number.  
**Carton:** 20 pairs

 **5820**



**NEW**



**Item:** 5820  
**Color:** Black with Blue details.  
**Insole:** Memory Foam  
**Toe Cap:** Polyamide.  
**Width:** EEE.  
**Linings:** Sandwich Mesh Textile.  
**Upper:** Mesh Polyester, Cotton, KPU.  
**Presentation:** Borcegui 6" high.

**Dielectric:** 14,000 Volts resistant.  
**Sole:** Injected double density PU / TPU.  
**Manufacturing System:** Direct Injection to the upper.  
**Size:** 7-12 whole number.  
**Carton:** 20 pairs.  
 Made in Mexico.



 **767PLUS**



**Item:** 767PLUS  
**Color:** Brown.  
**Insole:** Shaped EVA.  
**Padded:** Textile.  
**Toe Cap:** Polyamide.  
**Width:** EEE.  
**Lining:** Textile.  
**Upper:** leather. Thickness 1.8 - 2.0 mm.  
**Manufacturing system:** Direct injection to the cut.

**Presentation:** Borcegui 5" high.  
**Dielectric:** 14,000 Volts resistant.  
**Sole:** Injected Monodensity PU.  
**Size:** 5-9 whole number.  
**Carton:** 20 pairs.  
 Made in Mexico.



 **106**



**Item:** 106  
**Color:** Black with yellow details.  
**Insole:** Shaped EVA.  
**Toe Cap:** Polyamide.  
**Width:** EEE.  
**Lining:** Sandwich Mesh Textile.  
**Upper:** Cowltide.  
**Presentation:** Sneakers.

**Dielectric:** 14,000 Volts resistant.  
**Sole:** Injected double density PU with internal anti-impact graft.  
**Manufacturing System:** Glued  
**Size:** 7-12 whole number.  
**Carton:** 20 pairs.  
 Made in China.



 **107CAFE**



**Item:** 107CAFE  
**Color:** Brown  
**Insole:** Shaped EVA.  
**Toe Cap:** Polyamide.  
**Width:** EEE  
**Presentation:** Borcegui 6 ".  
**Lining:** Thermal Textile with High Friction Resistance.  
**Upper:** Oleo Buck leather thickness 1.8-2.0 mm

**Carton:** 20 pairs  
**Sole:** Injected double density PU / TPU.  
**Dielectric:** 14,000 Volts resistant.  
**Size:** 5-12 whole number.  
**Manufacturing System:** Direct injection to upper.  
 Made in Mexico.





# 107PLUS



**Item:** 107PLUS  
**Color:** Black with blue details.  
**Insole:** Shaped EVA.  
**Padded::** Textile.  
**Toe Cap:** Polyamide.  
**Width:** EEE.  
**Lining:** Textile.  
**Presentation:** 6" high boots.  
**Upper:** Polished leather. Thickness 1.8-2.0 mm.  
**Manufacturing System:** Direct injection to the upper.

**Dielectric:** 14,000 Volts resistant.  
**Size:** 5-12 whole number.  
**Carton:** 20 pairs.  
**Blue sole:** Injected double density PU / TPU. Resistant against acids and corrosive agents.  
 Made in Mexico.




# 779PLUS



**Item:** 779PLUS  
**Color:** Black with Red details.  
**Insole:** Shaped EVA.  
**Eyelets:** Nylon.  
**Padded:** Textile.  
**Toe Cap:** Polyamide.  
**Width:** EEE.  
**Linings:** Textile.  
**Manufacturing System:** Direct Injection to the upper.

**Upper:** Polished leather.  
**Presentation:** 6" high.  
**Dielectric:** 14,000 Volts resistant.  
**Size:** 7-12 whole number.  
**Carton:** 20 pairs.  
**Red sole:** Injected double density PU / TPU.  
 Made in Mexico.



 **111**



**Item:** 111  
**Color:** Brown.  
**Insole:** Aosolite.  
**Eyelets:** Nylon.  
**Upper:** Skin. Thickness 1.8 - 2.0 mm.  
**Presentation:** 6" high.  
**Dielectric:** 14,000 Volts resistant.  
**Support:** In the heel for best TPU stability.  
**Sole:** Injected dual density PU / TPU.  
**Manufacturing System:** Direct injection to the upper.  
**Size:** 5-12 only integer points  
**Carton:** 20 pairs.

**Padded:** Textile.  
**Toe Cap:** Polyamide.  
**Width:** EEE.  
**Lining:** Textile.  
 Made in Mexico.



 **109PLUS**



QUALITY CERTIFICATION  
**ASTM F2413-18**



**Item:** 109 Plus  
**Color:** Brown.  
**Insole:** Aosolite.  
**Eyelets:** Nylon.  
**Upper:** Skin. Thickness 1.8 - 2.0 mm.  
**Presentation:** 6" high.  
**Dielectric:** 14,000 Volts resistant.  
**Support:** In the heel for best TPU stability.  
**Sole:** Injected dual density PU / TPU.  
**Manufacturing System:** Direct injection to the upper.  
**Size:** 5-12 only integer points  
**Carton:** 20 pairs.

**Padded:** Textile.  
**Toe Cap:** Polyamide.  
**Width:** EEE.  
**Lining:** Textile.  
 Made in Mexico.



## 107 METATARSAL



**Safety boot equipped with Polymer metatarsal protector.**

**Item:** 107 Metatarsal

**Color:** Black with blue details.

**Insole:** Shaped EVA.

**Width:** EEE.

**Lining:** Textile.

**Toe Cap:** Polyamide.

**Presentation:** Borcegui 6" high.

**Padded:** Textile.

**Dielectric:** 14,000 Volts resistant.

**Size:** 5-12 whole number.

**Blue sole:** Injected double density PU / TPU.

Acids and corrosive agents resistant.

**Upper:** Polished leather. Thickness 1.8-2.0 mm.

**Manufacturing System:** Direct injection to the upper.

**Carton:** 20 pairs.

Made in Mexico.

## 109 METATARSAL



**Safety boot equipped with Polymer metatarsal protector.**

**Item:** 109 Metatarsal

**Color:** Brown.

**Insole:** Aosolite.

**Width:** EEE.

**Lining:** Textile.

**Toe Cap:** Polyamide.

**Presentation:** Borcegui 6" high.

**Padded:** Textile.

**Dielectric:** 14,000 Volts resistant.

**Size:** 7-12 whole number.

**Sole:** Injected double density PU / TPU.

Acids and corrosive agents resistant.

**Upper:** Polished leather. Thickness 1.8-2.0 mm.

**Manufacturing System:** Direct injection to the upper.

**Carton:** 18 pairs.

Made in Mexico.



# 782 ASSEN



MADE IN ITALY



**Item:** 782 ASSEN  
**Color:** Black with red details.  
**Upper:** Leather.  
**Padded:** Textile.  
**Support:** Comfort zone.  
**Anti-perforation insole:** Made of HRP fabric - High resistance perforation.  
**Toe Cap:** Polyamide.  
**Lining:** Antifungal, 100% polyester.

**Sole:** Dual density PU. ESD Antistatic.  
**Manufacturing System:** Direct injection to the upper.  
**Size:** 7-12 whole number.  
**Carton:** 10 pairs.



# VALENCIA



MADE IN ITALY



**Item:** VALENCIA  
**Color:** Black with red details.  
**Upper:** Leather.  
**Padded:** Textile.  
**Toe Cap:** Polyamide.  
**Lining:** Antifungal, 100% polyester.

**Sole:** Dual density PU. ESD Antistatic.  
**Manufacturing System:** Direct injection to upper.  
**Anti-perforation insole:** HRP- High Resistant Perforation fabric.  
**Size:** 7-12 whole number.  
**Carton:** 10 pairs.





# 765



**Item:** 765  
**Color:** Black.  
**Insole:** Shaped EVA.  
**Eyelets:** Nylon.  
**Padded:** Textile.  
**Toe Cap:** Polyamide.  
**Width:** EEE.  
**Lining:** With thermal and antifungal properties.  
**Sole:** Double density polyurethane. Acids and corrosive agents resistant.

**Upper:** Polished leather. Thickness 1.8-2.0 mm.  
**Presentation:** Borcegui 6 "high.  
**Dielectric:** 14,000 Volts resistant.  
**Manufacturing System:** Glued.  
**Size:** 4-12 half numbers.  
**Carton:** 20 pairs.  
 Made in Mexico.




# 107 PN



**Item:** 107 PN  
**Color:** Black  
**Insole:** Shaped EVA.  
**Eyelets:** Nylon.  
**Padded:** Textile  
**Toe Cap:** Polyamide.  
**Width:** EEE.  
**Lining:** Textile.

**Upper:** Polished leather. Thickness 1.8 - 2.0 mm.  
**Presentation:** 6" high.  
**Dielectric:** 14,000 Volts resistant.  
**Sole:** Double density polyurethane. acids and corrosive agents resistant.  
**Manufacturing System:** Glued  
**Size:** 5-13 with half numbers.  
**Carton:** 20 pairs.  
 Made in Mexico.



# 790



**Item:** 790  
**Color:** Brown.  
**Insole:** Aosolite.  
**Toe Cap:** Polyamide.  
**Width:** EEE.  
**Linings:** Thermal textile cambrell nylon, friction resistant.  
**Upper:** Crazy Horse leather.  
**Sole:** Injected double density PU / TPU.  
**Presentation:** 8 "high boot.

**Dielectric:** 14,000 Volts resistant.  
**Manufacturing System:** Direct Injection to the upper.  
**Size:** 7-12 whole number.  
**Carton:** 16 pairs.  
 Made in Mexico.




# 610



**Item:** 610PLUS  
**Color:** Black and Sand.  
**Insole:** Tactical sport.  
**Eyelets:** Nylon.  
**Padded:** Textile.  
**Width:** EEE.  
**Presentation:** 8 "high tactical boot .  
 Toe cap. with YKK side closure.  
**Dielectric:** 14,000 Volts resistant.  
**Sole:** Direct Injection PU / TPU.

**Upper:** Leather (black) Suede (sand).  
**Manufacturing System:** Injected direct to the upper.  
**Size:** 7-12 whole number.  
**Carton:** 16 pairs.  
 Made in Mexico.





## 5002PLUS



**Item:** 5002PLUS  
**Color:** Brown with orange details.  
**Insole:** Sport shaped.  
**Toe Cap:** Polyamide.  
**Width:** EEE.  
**Linings:** Textile.  
**Upper:** Rodeo leather.

**Presentation:** 6" high.  
**Dielectric:** 14,000 Volts resistant.  
**Sole:** Injected PU. Monodensity.  
**Manufacturing System:** Direct Injection to the cut.  
**Size:** 7-12 whole number.  
**Carton:** 20 pairs.  
 Made in Mexico.




## 135METATARSAL



**Item:** 135METATARSAL  
**Color:** Brown.  
**Insole:** Shaped PU.  
**Eyelets:** Metallic.  
**Padded:** Textile.  
**Toe Cap:** Steel.  
**Width:** EEE.  
**Linings:** Textile.

**Upper:** Full grain leather. Thickness 1.8 - 2.0 mm.  
**Sole:** SBR rubber with nitrile acryl.  
**Manufacturing System:** Sticher.  
**Size:** 4-13.5 half number.  
**Presentation:** 6" high with Metatarsal protection.  
**Carton:** 20 pairs.  
 Made in Mexico.

**\*ON REQUEST 100 PAIRS MINIMUM**

 **760**



**Item:** 760  
**Color:** Brown.  
**Insole:** Shaped PU.  
**Eyelets:** Nylon.  
**Padded:** Textile.  
**Width:** EEE.  
**Lining:** Thermally cushioned textile with friction resistant.

**Upper:** Full grain leather. Thickness 1.8 - 2.0 mm.  
**Toe Cap:** Polyamide.  
**Presentation:** Borcegui 6" high.  
**Sole:** Rubber SBR  
**Manufacturing System:** Sticher.  
**Size:** 4-13.5 half number.  
**Carton:** 20 pairs.  
 Made in Mexico.



 **135**



**Item:** 135  
**Color:** Brown.  
**Insole:** Shaped PU  
**Eyelets:** Metallic.  
**Padded:** Textile.  
**Toe Cap:** Steel.  
**Width:** EEE.

**Lining:** Textile.  
**Upper:** Full grain leather. Thickness 1.8 - 2.0 mm.  
**Presentation:** Borcegui 6" high.  
**Sole:** SBR rubber with nitrile acryl.  
**Manufacturing System:** Sticher.  
**Size:** 4-13.5 half number.  
**Carton:** 20 pairs.  
 Made in Mexico.





**Item:** 777  
**Color:** Brown.  
**Insole:** Brown.  
**Eyelets:** Metallic.  
**Padded:** Textile.  
**Width:** EEE.  
**OCCUPATIONAL SHOE.**  
 Without Toe Cap.

**Upper:** Nobuck.  
**Lining:** Textile.  
**Presentation:** Hicking boot.  
**Sole:** Phylon with rubber.  
**Manufacturing System:** Glued.  
**Size:** 7-11 whole number.  
**Carton:** 20 pairs.  
 Made in Mexico.



**Item:** 6570  
**Color:** Honey.  
**Insole:** EVA.  
**Eyelets:** Metallic.  
**Padded:** Textile.  
**Width:** EEE.  
**OCCUPATIONAL SHOE**  
 Without Toe Cap.

**Upper:** Nobuck.  
**Lining:** Textile.  
**Presentation:** Hicking.  
**Sole:** Phylon with rubber.  
**Manufacturing System:** Glued.  
**Size:** 5-8 whole number.  
**Carton:** 20 pairs.  
 Made in Mexico.



**Item:** WPL

Black boot. Made of PVC and polyester / cotton sock, water resistant. 40 cm high boot, with two markings to cut to 5 cm and 10 cm.

**Calf:** Black color. To avoid foot fatigue, the shaft is made of calf materials.

**Sole:** Non-slip design which provides excellent adherence to dry or wet surfaces.

**Width:** Ergonomic, suitable for the foot and body, achieving a fit with the instep and heel, thus allowing comfort and reduction of fatigue.

**Size:** 6 -12 whole numbers.

**Carton:** 10 pairs.

Made in Mexico.



**Item:** ILB (White) ILN (Black)

Industrial and Sanitary Boot. Black and white color. Made with double injection of PVC and polyester / cotton sock. Resistant to heavy work, chemical substances, vegetable and animal fatty products, abrasion and temperature ranges between 5°C and 42°C without presenting deformation or cracking (do not use outside these ranges).

**Calf:** Black or white color. To avoid foot fatigue, the calf is made of soft, less rigid and less hard materials.

**Sole:** Red color with a hardness of 65-75 shore A. Non-slip.

**Width:** Ergonomic that allows comfort and reduction of fatigue.

**Size:** 7 -12 whole numbers.

**Carton:** 10 pairs.

Made in Mexico.



\* If you require the model with a socket, please ask your consultant for cost and delivery time.



# 101ANH



**Item:** 101ANH  
**Color:** Black.  
**Template:** EVA.  
**Padded:** Textile.  
**Toe Cap:** Steel.  
**Width:** EEE.  
**Lining:** Textile.  
**Upper:** Polished leather. Thickness 1.8-2.0 mm.  
**Presentation:** Borcegui 6" high.  
**Sole:** Rubber  
**System of Manufacturing:** Gluing Lock Stitcher (glued and sewn).  
**Size:** 4 - 13.5 half numbers.  
**Carton:** 24 pairs.  
 Made in Mexico.




# 105PLUS



**Item:** 105PLUS  
**Color:** Black.  
**Template:** EVA.  
**Padded:** Textile.  
**Toe Cap:** Polyamide.  
**Width:** EEE.  
**Lining:** Textile.  
**Upper:** Polished leather. Thickness 1.8-2.0 mm.  
**Presentation:** Borcegui 5" high.  
**Sole:** Rubber  
**System of Manufacturing:** Gluing Lock Stitcher (glued and sewn).  
**Size:** 4 - 13.5 half numbers.  
**Carton:** 24 pairs.  
 Made in Mexico.




# 766



**Item:** 766  
**Color:** Black shaped.  
**Template:** EVA.  
**Padded:** Textile.  
**Toe Cap:** Polyamide.  
**Width:** EEE.  
**Lining :** Textile.  
**Upper:** Leather corrected flower cattle.  
**Presentation:** Borcegui 5" high.  
**Dielectric:** 14,000 Volts resistant.  
**Sole:** Rubber  
**System of Manufacturing:** Glued.  
**Size:** 4 - 12.5 half numbers..  
**Carton:** 24 pairs.  
 Made in Mexico.







# HEAD PROTECTION

## GRSEMI-L-N

**Semi-safety cap with high visibility reflective band and flashlight.**

**Color:** GRSEMI-L-N (Orange), GRSEMI-L-NEG (Black), GRSEMI-L-AZ Blue), GRSEMI-L-AM Yellow), GRSEMI-L-ROS (Pink)

**Material:** Polyester / cotton fabric, shell, ABS interior with EVA cushion.

**Presentation:** 1 piece

**Carton:** 30 pieces.

Made in China.

Available colors: Orange, Black, Blue, Yellow, Pink.



**COMING SOON**

## FACE SHIELD

**Disposable face shield.**

**Item:** PFACIAL-N

Clear recycled PET lens, 15 gauge with elastic bands adaptable to any size and polyurethane foam visor. Effectively protect your face, covering an area from the top of the head, eyebrow and down to the chin, easy complete protection against splashes and fluids. Provides a clear view, ensures safety, and does not block your view.

**Measure:** 23cm high

**Weight:** 65gr

**Presentation:** 1 Piece

Made in Mexico.



## PFI

**ANSI Z87.1**

**Visor with polycarbonate lens.**

**Measure:** 60x48x50cm

**Presentation:** Box with 25 pieces

Made in China.



## STEEL MESH FACE SHIELD

**Safety face shield with mesh viso for chainsaw trimmer pole pruner.**

**Item:** PF-MALLA

Protect your face and eyes from debris, wood, or grass. Lightweight and comfortable to use. Adjustable head harness ensures individuals for maximum fit and comfort.

**Application:** weeding, wood cutting.

Made in China.



**ANSI Z87.1**

## WELDING LENS

**Lens.**

**Item:** CRISTAL-CLARO

Interchangeable polycarbonate or crystals lens, for welding helmets. For the prevention of eye fatigue and damage.

**Measurements:** 10.8 cm x 5 cm.

**Shadow Lens 14.**

**Key:** CRISTAL-OBSCURO

Same features as the clear, mentioned above, in addition to its dark film, protects the eyes from high light exposures that could be harmful.

**Measurements:** 10.8 cm x 5 cm.

**Presentation:** Carton 100 pieces per color.

Made in Mexico.



## SKI MASK FACE CAP

**Double weave balaclava.**

**Item:** PASAMON-DOUBLE

Ski mask is made made of polar fabric, which provides protection from the cold to the face in low-temperature environments.

**Presentation:** Carton 24 pieces.

Made in Mexico.



## DISPOSABLE MESH CAPS

**Disposable mesh cap black hair net caps.**

**Item:** MNL

This attachment is used in the food industry, in which are required high standards of health and hygiene.

• **Composition:** 100% Nylon.

• **Presentation:** Carton with 100 pieces.

• Made in China.



## HOOD WELDER

**Flame retardant welder hat hood.**

**Item:** CAPUCHA

Velcro adjustment. The hood protects the worker's head from the sparks and burrs generated when welding, thus avoiding burns, avoiding burns on both the head and neck.

**Composition:** 100% Cotton.

**Presentation:** Carton 50 pieces.

Made in Mexico.



## HAIR NET CAPS

**White disposable hair net cap with elastic.**

**Item:** CDL-1

Ideal for the food industry, as well as for the health sector, doctors and nurses who are exposed to environments that need high hygiene.

**Composition:** 100% Polypropylene.

**Presentation:** Bag with 100 pieces.

**Carton:** 45 bags.





## HARD HAT NAPE SUN SHIELD MESH

**Yellow sun shield mesh with reflective band.**

**Item:** NQ-001

To help withstand damage caused by UV rays from the sun. Fixing to the hard hat by means of a spring, also works for a wide-brimmed helmet. 90% polyester, 8% polypropylene, 2% PVC.

- **Carton:** 200 pieces.
- Made in China.



## HARD HAT SUN SHIELD SHADE

**Item:** HATNUQ

Breathable material, light and comfortable. High visibility and fringe reflective on the edges that will keep you safe when you work at night. It also effectively protects your neck from the sun during the day. Fits most helmets. Parasol for hard hat with reflective.

- **One size.**
- **Composition:** 99.5% Polyester, 0.5% Iron.
- **Presentation:** Carton with 100 pcs.
- Made in China.



## BARBIQUEJO

**Helmet chin strap thermoplastic with chin.**

**Key:** BARBIQUEJO

With plastic hooks. To give more stability to the helmet of protection thus avoiding possible fall with movement during labor. Being elastic it adapts to any type or size of face and head.

**Composition:** 62% Polyester, 38% Elastodiene.

**Presentation:** Bag of 100 pieces.

Made in China.



## FLUORESCENT HARD HAT

**Thermoplastic hard hat with ratcheting adjustment.**

Class "E" cap type safety helmet High visibility colors with ratchet with reflective on the sides. Meets ANSI Z89.1-2003 certification. It complies with the NOM-115-STPS-1994 standard.

**Presentation:** Carton with 20 pieces each color.

Made in Mexico.



CPLICA-4MFLUN



CPLICA-4MFLUR



CPLICA-4MFLUL



# SAFETY HARD HATS

## Thermoplastic hard hat with interval or ratchet adjustment.

Meets ANSI Z89.1-2003 certification.

It complies with the NOM-115-STPS-1994 standard.

Class "E" cap type safety hard hat.

Sides of 45 that at the moment of impact the object is easily displaced.

Totally modern design without neglecting your safety.

The hard hat is extremely light to avoid discomfort.

New design in the earmuff holder for easy handling.

Additional reinforcement in the upper central part of the hard hat to withstand impacts of up to 150 kgs.

### Applications:

Industrial sector, construction sites, places in repair and in any place where the safety of the worker is paramount.

**Presentation:** Box of 60 pieces per color (not mixed), in interval hard hat.

**Carton:** 60 pieces per color (not mixed), in rattle hard hat. Made in Mexico.



1CPLICA-4Z



1CPLICA-4A



1CPLICA-4B



1CPLICA-4N



1CPLICA-4R



1CPLICA-4V

## RATCHETING WITH REFLECTIVE



1CPLICA-4MA



1CPLICA-4MZ



1CPLICA-4MR



1CPLICA-4MV



1CPLICA-4MB



1CPLICA-4MN

A woman with dark hair, wearing a dark blue uniform, is shown in profile, adjusting her clear safety glasses. Her right hand is on the top of the frame of the glasses. The background is a blurred industrial or construction setting.

**LICA®**

**VISUAL  
PROTECTION**



## LLI01

**Item:** LLI01C (Clear) and LLI01O (Dark).

- Made of 100% polycarbonate.
- Standard fit/bridge.
- Anti-impact lens.
- Concave lens without frame.
- Meet ANSI Z87.1 Standards
- Presentation: 12 pieces
- Carton: 300 pieces
- Made in China.



LLI01O



LLI01C



\*If you require the model with clear mica Anti-Fog request with the following item.  
**Item:** LLI01C-AE



## LLI03

**Mirror lenses**

**Item:** LLI03C Light and LLI03O Dark

- Hard coated 100% polycarbonate.
- Indoor / outdoor lens, anti-impact, anti-fogging and anti-scratch.
- Concave lens without frame.
- UV protection.
- Presentation: 10 pieces
- Carton: 200 pieces
- Made in China.



LLI03C



LLI03O



## LLI04C

**Safety lens black eyebrow type clear mica.**

**Item:** LLI04C

- Mica made of 100% polycarbonate.
- Frame made of strong nylon.
- Anti-impact and anti-scratch lens.
- Flexible and adjustable product.
- Clear lens.
- UV protection.
- Strong and durable.
- Presentation: 10 pieces
- Carton: 200 pieces
- Made in China.



**ANSI Z87.1**



## LLI06C

**Anti-impact lens safety glasses**

**Item:** LLI06C

The transparent safety glasses bring wide, frame-free field of view. Against impacts from burrs and other objects. It is also offered with anti-fog protection. Fit over prescription glasses. Soft nose bridge and light weight. PC polycarbonate lens to make them highly resistant to impact and ensure a long lifespan. Prevent fogging through branch ventilation holes.

- Presentation: 10 pieces
- Carton: 200 pieces
- Made in China.



**ANSI Z87.1**

## LLI05

**Industrial safety glasses Tricolor eyebrow.**

**Item:** LLI05C Clear / LLI05O Dark

- 100% polycarbonate lens.
- Frame made of resistant nylon.
- Anti-impact and anti-scratch lens.
- UV protection.
- **Presentation:** 10 pieces
- **Carton:** 200 pieces.
- Meet ANSI Z78.1 Standards.
- Made in China.



LLI05O



LLI05C

**ANSI Z87.1**



\*If you require the model with clear mica Anti-Fog request with the following item.  
**Item:** LLI05C-AE



## LLI07

**Clear and dark lens safety glasses.**

**Item:** LLI07O-PRO (dark) and LLI07C-PRO (clear)

- 100% polycarbonate lens with UV protection.
- Ergonomic arms.
- Resistance to high speed particle impact.
- Anti-scratch to decrease the risk of on the job injuries.
- Presentation: Carton 100 pieces.

Recommended use for industrial activities, manufacturing, clinics, laboratories, extreme sports and places with a lot of dust in the environment.



LLI07C-PRO



LLI07O-PRO







## LICA-TMA

**ANSI Z87.1**

### Industrial safety glasses.

**Item:** LICA-TMA

- Clear lens 100% polycarbonate.
- Blue frame and arms with 3 levels of adjustment.
- UV and anti-scratch protection.
- Lens at different angle for better position at work.
- Presentation: 12 pieces.
- Carton: 10 boxes.



## LICA-3V4000

### Industrial safety glasses.

**Item:** LICA-3V4000

- Blue Mica 100% polycarbonate.
- Black frame.
- Includes cord.
- Impact resistance.
- UV and anti-scratch protection.
- Nose bridge with precise fit.
- Presentation: 12 pieces.
- Carton: 10 pieces
- Meet ANSI Z87.1 Standards.

Made in Mexico.



**ANSI Z87.1**



## LICA TORNADO

### Sports eye protection glasses.

**Item:** LICA TORNADO

- Litmus blue lens 100% polycarbonate with UV protection.
  - Reduces eye fatigue by neutralizing yellow light.
  - Ergonomic and non-slip arms.
  - Black frame with cord.
  - Resistance to high speed particle impact.
  - Anti-scratch and Anti-fog.
  - Standard fitbridge.
  - Meet ANSI Z87.1 Standards
  - Presentation: Carton 50 pieces.
- Made in Mexico.



**ANSI Z87.1**





## LICA-TRAN-I

**Industrial safety glasses.**

**Item:** LICA-TRAN-I

- Transparent Mica 100% polycarbonate.
- Black frame.
- Impact resistance.
- UV and anti-scratch protection.
- Nose bridge with precise fit.
- Meet ANSI Z78.1 Standards.
- Presentation: 10 pieces
- Carton: 200 pieces
- Made in China.



**ANSI Z87.1**



## LICA-NEG-I

**Industrial safety glasses.**

**Item:** LICA-NEG-1

- Gray Mica 100% polycarbonate.
- Black frame. Includes lanyard.
- Nose bridge with precise fit.
- Impact resistance. UV and anti-scratch protection.
- Presentation: 10 pieces
- Carton: 200 pieces
- Made in China.



**ANSI Z87.1**



## MONOPRO

**Comfort and splash protection monogoggle.**

**Item:** MONOPRO

- Made with 100% Polycarbonate mica. Visual anti-impact protection.
- Adjustable. Anti-scratch. With elastic adjustment bands. Sporty design and curved lens for an enhanced vision field. Indirect ventilation for increased airflow, which also minimizes condensation and fogging.
- The goggles are clear, making them ideal for indoor use and maximum light transmission.
- Carton: 100 pieces.
- Made in China.



## MONOGOGGLE

**Goggle direct ventilation.**

**Item:** MONOLICA-I

- Hypoallergenic material. Transparent side panels. High impact resistance polycarbonate lens. Direct ventilation perforations.
- Elastic bands for a better fit. It is also offered with an anti-fog coating.
- **Presentation:** Carton 120 pieces.
- Made in China.

**ANSI Z87.1**





# HEARING PROTECTION



## EAR PLUG 35 DB

### Disposable ear plug 35 dB.

**Item:** BLI-TL35

- Noise Reduction Level: 35 dB. according to CE Standard and 32 dB according to ANSI Standard.
- Certified Product.
- Made of PU-FOAM.
- Recommended for high frequency noise and long working hours.
- Presentation: Blister with 100 pairs.
- Presentation: Carton with 40 blisters.
- Made in China.



## REUSABLE EAR PLUG 27 DB



S3.19 32dB

### 27 DB reusable plug.

**Item:** TLR-27

- Reusable triple barrier earplug.
- Lightweight and easy to use product.
- Noise Reduction Level: 27 dB.
- 70 cms plastic cord.
- Made of a soft shell that encloses an air pocket.
- Presentation: Carton with 100 pairs.
- Carton: 1500 pairs.



## EAR PLUG WITH CORD 37 DB

### Ear plug 37 dB.

**Item:** TL37

- Recommended for high frequency noise and long working hours.
- Noise Reduction Level: 37 dB. according to CE Standard and 32 dB according to ANSI Standard.
- Certified Product.
- Made of PU-FOAM.
- 70 cms plastic cord length.
- Presentation: Dispenser carton with 100 pairs.
- Carton: 1500 pairs.
- Made in China.



S3.19 32dB



## SAFETY EARMUFF



### **Soft foam cushions noise resistant safety earmuff.**

**Item:** PATO-IMP

The headband of the earmuff is made of a special quality plastic with extreme fatigue strength that makes it almost impossible to deform and prevents it from losing the protection offered. Soft foam cushions to bring comfort to the user, practical and light, its plastic shells are very resistant. Height adjustment to achieve perfect fit. For its comfort it can be used for long periods. The headband adjusts in 3 positions; head, neck or chin. Sponge interior and padded, vinyl-lined padding provides excellent comfort. Resistant, light, durable, comfortable, and of excellent quality.

Presentation: 10 pieces.

Carton with 40 pieces.

Made in China.

## HARD HAT ATTACHABLE EARMUFF



### **Hard hat attachment earmuffs.**

**Item:** OAC

Features: Noise reduction up to 24 dB.

Adjustable height. Pads for added comfort.

Provide hearing protection for to moderate noise exposures.

Color: Black with red.

Material: Steel arms, PVC cup padded with ABS, 100% polyethylene.

Presentation: Carton with 40 pairs.

Made in China.



# RESPIRATORY PROTECTION

## SHELL TYPE SAFETY MASK

**Item:** MLCP

Shell type, fluid resistant, non-sterile polyester masks. Contour design to the face for better comfort and breathing. High filtration and optimal respiration. Aluminum rod to adapt to the nose equipped with clamping rubbers. Disposable for dust and low risk jobs.

- Presentation: Box with 50 pieces.
- Carton: 900 pieces.
- Made in Mexico.



## DISPOSABLE NONWOVEN FOLDING HALF FACE MASK

**Collapsible particle mask**

**Item:** ML09

This half face mask reduce inhalation exposure to certain types of airborne biological particles but cannot eliminate the risk of disease or infection. Offers a minimum of 95% filtration efficiency against solid and liquid aerosols that do not contain oil or produce vapors.

- Nonwoven, meltblown filter
- Presentation: Bag with 20 pieces.
- Carton: 1,000 pieces.
- Made in Mexico.

## CONE FACE MASK

**Mask for solid particles.**

**Item:** ML10

Innovative dust and particle retention system. Long-lasting elastic garters. Staple-free: Ultrasonic welding eliminates facial discomfort. Greater efficiency, better performance, maximum comfort. It is very useful in people with allergy problems for its effective protection against pollen and dust mites.

- Presentation: Box with 25 pieces.
- Carton: 300 pieces.
- Presentation: Blister with 5 pieces.
- Made in Mexico.



## SHELL TYPE KN95 MASK

**Thermoformed and heat-sealed N95 mask**

**Item:** CHML20

Oil-free Particle Protection. Inner and outer polyester foils, foil polypropylene fiber filter

- Presentation: Carton with 20 pieces.
- Made in China.



## FOLDED CUP-SHAPED MASK KN95



95% EFFECTIVE FILTRATION

**KN95 folded mask.**

**Item:** CHML30

White mask with elastic that fits over the ear.

Composition 60% Non-woven 40% Fusible spray fabric.

Designed to be used by operating room personnel during surgical procedures to help protect patients from the transfer of microorganisms, body fluids, and particulate matter.  
Presentation: 50 pieces.  
Made in China.



## DISPOSABLE EARLOOP HALF FACE MASK

**Disposable non-sterile, blue 3-ply mask.**

**Item:** CBA-50

Nonwoven fabric with sealed elastic. Hygienic, practical and easy to use thanks to its nasal and elastic adjustment in the dark circles. Penetration of liquids and fluids protection.

Prevents the transmission of germs from the nose and mouth. It prevents individual infections and guarantees the safety of the patient, professionals and health workers in both clinical and surgical procedures.

- Color blue
- Content: 50 pieces
- Composition: 100% Polypropylene.
- Made in China.







## CHRL200

**Half-face respirator for organic gases and vapors.**

**Item:** CHRL200

Compatible with CHF03 filters

Flexible system: filters for gases, vapors and particles, and air supply. Minimal maintenance. Non-allergenic face piece. Easy to use. Balanced Weight. When combined with the appropriate items, the respirator provides a high level of protection for industrial applications. The LICA CHRL200 half mask face pieces together with the LICA CHF03 filters meet the basic safety requirements.

Presentation: Carton with 6 pieces.

Made in China.



**FILTERS NOT INCLUDED.**



## CARTIDGES FOR REUSABLE HALF FACE RESPIRATOR

**Cartridges for organic vapor and acid gases.**

**Item:** CHF03

This cartridge is designed to be attached to the CHRL200 mask providing protection primarily against acid gases and also against certain types of organic vapors such as chlorine, chlorine dioxide, hydrogen chloride, sulfur dioxide, hydrogen fluoride, hydrogen sulfide (exhaust only), ammonia, methylamines, formaldehyde.

Suggested Uses: Pesticides, disinfection, remediation, and metalworking.

Presentation: Carton with 30 pairs.

Made in China.




## REUSABLE WASHABLE SAFETY MAX

**Washable face shield**

**Item:** CNU

Ergonomic nose cut and adjustable ear loop are enough to cover the nose and mouth.

Material: 100% polyester Baltic mesh  
Foam 4/17. One Size

· Presentation: Bag with 1 mask and 20 disposable filters.

· Made in Mexico.





# BACK PROTECTION





## WEIGHTLIFTER GIRDLE

**Girdle for weightlifter with and without straps.**

**Item:** (FP strapless / FPT strap)

Sizes: SMALL-XXL.

Product Weight: 225g (approx.)

To carry medium-heavy objects, also to offer support to the lumbar section of the body.

Presentation: Carton of 12 pieces of the same size.

Made in Mexico.



FPT WITH STRAPS

FP STRAPLESS




## LEATHER WEIGHT LIFTING BELT

**Item:** FV

The girdle has a large leather area for precise and comfortable placement, it also offers an ergonomic and longer-lasting belt. For industrial use, it promotes correct lifting techniques and reduces the possibility of back, abdominal and lower back injuries. Made with leather, it includes an extra belt for added protection.

Widen design: 5 "wide.

Sizes: SMALL, MD, L, XL, XXL.

Carton 12 pieces of the same size.

Made in Mexico.



## WAREHOUSE BACK BRACE

### **Weight Lifting Belt with Straps.**

**Item:** FL-700

Composition: 100% Polyester.

It has a third adjustment belt in the front and adjustable elastic straps.

4 "wide double elastic band.

4 plastic rods for added lumbar support with 2-inch center back support.

1 "high resistance polypropylene bias and contact for front closure.

Sizes: S - XXL.

Presentation: Carton of 24 pieces per size.

Made in China.



## BACK SUPPORT BELT

### **Elastic lumbosacral girdle with black straps.**

**Item:** FLPREMUM

Composition: 100% Polyester.

Adjustable strap in front and elastic straps.

Plastic TPVR design for added lumbar support with padded back support.

High quality breathable mesh material for increased air flow.

Velcro closures ensure easy use and removal.

Sizes: S - XXL.

Presentation: Carton of 30 pieces of size small.

Presentation: Carton of 20 pieces of size M / L / XL / XXL.

Made in China.





# TOUCH PROTECTION

## ESD GLOVES

TOUCH  
SCREEN



CE EN388 3131

Antistatic Glove with PU coating.

Item: GLESD

- Composition: Polyester 54%, PU 45% Copper 1%
  - Palm: polyurethane
  - Cuff: knitted fabric edged, seamless.
- Sizes from 6-10  
Carton with 120 pairs.  
Made in China.



## ANTI-IMPACT GLOVES

Anti-impact glove with TP3, nitrile foamed and velcro on cuff for a better fit.

Item: GLANTIB10

- Composition: Nitrile 55% HPPE 40% PVC 5%
  - Palm: Foamed nitrile
  - Cuff: knitted fabric edged, seamless.
- Size 10  
Carton with 120 pairs.  
Made in China.



## GRIP GLOVES

All purpose work gloves. Coated nylon glove with nitrile.

Item: GLNN6, GLNN7, etc. according to size.  
Sizes: 6-10.

- Composition: Nitrile 55%, 45% nylon.
  - Palm: nitrile
  - Cuff: ribbed knit fabric, Without stitches.
- Carton of 120 pairs per size.  
Made in China.

CE EN388 4121



## SAFETY WORK GLOVES

Cotton-Polyester knitted liner crinkle latex palm coated safety work gloves.

Item: GLPEND9

- Composition: Polyester 45% 55% latex.
  - Palm: latex
  - Cuff: ribbed knit fabric
- Size 9. Carton of 120 pairs.  
Made in China.

CE EN388 3142



## FOAMED SPANDEX WORK GLOVES

Glove with Foamed Spandex

Item: GLNULTRA

- Composition: Nitrile 53%, Nylon 46% Spandex 1%
- Palm: Foamed nitrile
- Cuff: ribbed knit fabric, without stitches.

Sizes from 7-9

Carton with 120 pairs.

Made in China.

CE EN388 4121



## COTTON WORK GLOVES WITH NITRILE GRIP

Cotton glove with PVC black dots both sides palm. Reversible.

Item: GLPVC9

- Composition: Cotton 35%, Polyester 65%.
- Palm: with PVC dots best grip in dry and wet conditions. Its composition makes the materials better fixed to the time to transport them as is the case with glass.
- Cuff: knitted fabric seamless edging. Size 9.

Carton of 120 pairs.

Made in China.



## KEVLAR WITH SOLID NITRILE GRIP GLOVES

CE EN388 4232

Kevlar glove with nitrile coating.

Item: GLKEVLAR9

- Composition: Para-aramid 50% Nitrile 50%
- Palm: Nitrile
- Cuff: ribbed knit fabric, Without stitches.

Size 9

Carton with 120 pairs.

Made in China.



## COTTON SAFETY WORK GLOVES

White heavy duty work gloves.

Reversible.

Item: GLJP9

- Composition: Cotton 35% Polyester 65%
- Cuff: knitted fabric edged, seamless.

Size 9. Carton of 120 pairs.

Made in China.



## CRINKLE ORANGE LATEX COATED WORK GLOVES

Coated canvas glove with rough textured natural rubber coating over cotton canvas provides excellent gripping power ideal for handling highly abrasive materials.

**Item:** GLLATPS10.

- Composition: 20% Cotton, 80% Latex.
  - Cuff: Sock.
  - Palm: Cotton / Latex. Cotton threads.
- Size 10. Carton with 120 pairs.  
Made in China.



CE EN388 2131



## HEAVY DUTY INDUSTRIAL NITRILE GLOVES

Nitrile fully, coated blue gloves, with knitted cufft.

**Item:** GLNA9.

The soft jersey liner keeps the hand comfortable while the rugged blue nitrile coating resist puncture cuts and abrasions heavy duty with excellent grip for safe and, secure handling wet and oily conditions.

- Composition: 60% Nitrile, 40% Cotton.
- Cuff: Sock.
- Palm: Cotton / Latex. Cotton threads.

Size 9. Carton with 120 pairs.  
Made in China.



CE EN388 4121



## JERSEY COTTON LATEX ROUGH CRINKLE GLOVES

Green latex crinkle palm and fingers coating.

**Item:** GLLATPC10.

Great grip for heavy duty work, featured palm coating protects grip even in wet, greasy or oily conditions.

- Composition: 80% Cotton, 20% Latex.
- Cuff: Sock.
- Palm: impregnated with Latex.

Size 10.  
Carton with 120 pairs.  
Made in China.



CE EN388 2131

## KNIT CUFF LATEX COATED GLOVES

Cotton impregnated glove yellow latex on the palm. Heavy duty general purpose llent abrasion resitance soft interlock cotton lining fot comfort knitted wrist to exclude debris.

**Item:** GLRL10.

- Composition: 65% Cotton 35% Polyester.
- Cuff: Sock.
- Palm: Cotton / Latex.

Size 10.  
Carton with 120 pairs.  
Made in China.



CE EN388 2131



## HIGH VISIBILITY IMPACT GLOVES

TOUCH SCREEN



**Item:** GL-HIGHVIS

PVC reinforcement on palm and fingertips. Palm with gel-filled reinforcement. Neoprene and rubber on the back. Fingertips with "touch" system. Fleece and hook wrist adjustment. High level of protection to the dorsal part of your hand without sacrificing dexterity. The bright line-yellow color gives you high visibility. High level of protection. One size fits all.

• Composition:

- 40% Polyurethane
- 20% Polyester spandex
- 10% PVC
- 30% Nylon

Carton: 6 pairs

Made in Pakistan.



## HEAVY DUTY WORK GLOVES

TOUCH SCREEN



**Item:** GL-MECANIC

Offer touchscreen fingers reinforcement, adjustable wrist band.

• Composition:

- 40% Polyurethane
- 20% Polyester
- 10% PVC
- 30% Nylon

PVC reinforcement on palm and tips.

Reinforcement in the thumb area.

One size fits all.

Carton: 6 pairs

Made in Pakistan.



## GL-ANTISLIP

**Item:** GL-ANTISLIP

Composition: 40% Polyurethane, 30% Polyester, 30% Nylon.

Palm with silicone relief to improve grip. Neoprene in the knuckle area.

Fingertips with "touch" system.

Fleece and hook wrist adjustment

One size fits all.

Carton: 6 pairs

Made in Pakistan.



TOUCH SCREEN



## GL-ANTIMPACTO

TOUCH SCREEN



**Item:** GL-ANTIMPACT

Composition: 60% Goatskin, 30% Polyester, 10% Nylon. Goatskin palm.

Palm reinforcement with gel interior.

Neoprene in the knuckle area. "Touch" system.

Plush fit and hook at the wrist.

One size fits all.

Carton: 6 pairs

Made in Pakistan.



## GLANTICUT

**Anti-cut glove level 5.**

**Item:** GLANTICUT

- Composition: 55% Nitrile, 45% Nylon.
- Palm: Nitrile
- Cuff: ribbed knit fabric, Without stitches.

Sizes 8-9.

Carton with 120 pairs.

Made in China.

CE EN388 4544



## GLNSPANDEX9

**Nylon glove with fine nitrile coating.**

**Item:** GLNSPANDEX9

- Composition: 55% Nylon, 45% Nitrile
- Palm: Nitrile
- Cuff: ribbed knit fabric, Without stitches.

Size 9.

Carton with 120 pairs.

Made in China.

CE EN388 4121



## BG191G

**Leather glove for lineman.**

**Item:** B1910

Composition 100% cowhide.

One size fits all.

Tied of 25 pairs.

Made in Mexico.



## GCP

**Bait Glove first class, short.**

**Item:** GCP

Composition: 100% meat beef.

One size fits all.

Tied of 25 pairs.

Made in Mexico.





## A185RG



**Carnaza gauntlet.**

**Item:** A185-RG

One size fits all. Composition: 100% Beef carnaza.  
Made in Mexico.



## A187RG



**Adjustable leather gauntlet**

**Item:** A187RG.

One size fits all. Tied of 25 pairs. Composition of 100% cowhide.  
Made in Mexico.



## A182RG-L

**Leather glove for electrician  
with leather cuff.**

**Item:** A182RG-L

Composition: 100%  
leather beef.  
One size fits all.  
Tied of 25 pairs.  
Made in Mexico.



## A183RG-L

**Leather glove for electrician  
with adjustment.**

**Item:** A183RG-L

Composition: 100% cowhide.  
One size fits all.  
Tied of 25 pairs.  
Made in Mexico.





## A183C

**Leather Glove.**  
**Item:** A183C  
 Composition: 100%Pigskin.  
 Tied of 25 pairs.  
 Made in Mexico.




## A186RG

**Pemex type leather glove.**  
**Item:** A186RG.  
 Composition 100% leather  
 beef with reinforcement  
 in palm  
 One size fits all.  
 Tied of 25 pairs.  
 Made in Mexico.




## B183RG-L

**Leather glove for  
 spring loaded operator.**  
**Item:** B183RG-L  
 100% cowhide.  
 One size fits all.  
 Tied of 25 pairs.  
 Made in Mexico.




## B182RG-L

**Leather glove for electrician  
 with fist bait and spring for  
 adjustment.**  
**Item:** B182RG-L.  
 Composition 100% cowhide.  
 One size fits all.  
 Tied of 25 pairs.  
 Made in Mexico.





## A190G

**Pigskin Glove for electrician.**

**Item:** A190G  
 Composition: 100% leather pork.  
 One size fits all.  
 Tied of 25 pairs.  
 Made in Mexico.




## A184RG

**Mixed Glove.**

**Item:** A184RG.  
 With leather palm and bait on the back.  
 Composition: 50% meat beef, 50% beef skin.  
 One size fits all.  
 Tied of 25 pairs.  
 Made in Mexico.




## GCC

**Short leather glove.**

**Item:** GCC  
 10 "short glove inches long.  
 Made of bait beef, sewn with thread of polyester.  
 It is ideal for rough work, offering resistance and safety.  
 Tied of 25 pairs.  
 Made in Mexico.




## GCL

**Glove of long bait.**

**Item:** GCL  
 14 "glove inches long.  
 Made of bait beef, sewn with thread of polyester.  
 It is ideal for rough work, offering resistance and security.  
 Tied of 25 pairs.  
 Made in Mexico.





## MAN

**Magna de Carnaza for welder.**

**Item:** MAN

Double greased chrome tanned beef meat sleeves. It is used to protect the welder from the sparks and heat generated by the act of welding. Having as characteristic a good resistance and flexibility, which allows the user to work in conditions of excellent safety and comfort.

Measurements: 80 x 50 cm.

Composition 100% beef meat.

One size fits all.

Tied of 10 pairs.

Made in Mexico.



## MANGA MEZC

**Denim Magna for welder.**

**Item:** MANGA MEZC.

Denim sleeve is used to protect the welder from sparks and the heat generated by the act of welding, it has excellent resistance, which allows the user to work in conditions of excellent safety and comfort.

One size fits all.

Composition 100% cotton.

Box of 20 pairs.

Made in Mexico.



## MUÑEQUERA

**Elasticated thimble wristbands.**

**Item:** FF-022.

Elastic wristband designed to prevent injury or wear on the lower arm (wrist). Available in black, with a 1/2 "elastic bias at one end that stops at the thumb. Recommended uses: for people who are in constant movement of their wrists, in gyms, electrical industry, assembly areas, electronics, etc. It fits easily inside work gloves and its design is ambidextrous.

One size fits all.

Composition: 100% polyester.

Presentation: Bags with 50 pieces.

Made in Mexico.



## SG-5400

**Carnaza Glove for long soldering iron.**

**Item:** SG-5400

Glove for welder, in double greased beef meat, treated with oils for a longer duration and flexibility. Measure 14 "inches long. American style design with padded inner lining. Bound seams which allow the use of this glove to be more comfortable, providing high durability and comfort.

Sewn with kevlar thread.

One size fits all.

Composition: 100% beef meat.

Presentation: Ties of 25 pairs.

Made in Mexico.





# BODY PROTECTION

# CLR2001



**Mesh vest with reflective.**

**Item: CLR2001**

Color: Blue, Green, Orange, Red, Black and Yellow.

Mesh vest with reflective.

Spring on the sides. With clasp in front of contact.

The contour of the vest has yellow bias 1 cm wide.

- Composition: 100% polyester.
- Carton of 100 pieces per color.

Made in China.



# CLR3001



**High Visibility Vest.**

**Item: CLR3001**

Color: Green, Orange, Yellow and Pink.

Vest made of 100% polyester high visibility fabric.

2 "wide reflective gray on the front and back.

2 "hook and loop double front adjustment.

Resistant up to 60 wash cycles.

One size fits all. Made in China.

Carton of 100 pieces per color.







# CLR5000

**Fabric rescue vest.**

**Item:** CLR5000.

Colors: Black, Blue, Red, Green, Orange, Yellow and Beige.

2 "wide reflective gray PVC on front and back.

20 "front zipper. Resistant to sun exposure and thermal changes. High resistance to tearing.

It has 2 bags to transport samples or personal items.

Area for credential and cell phone or radio. One size fits all.

• Composition: 100% polyester

• Carton of 100 pieces.

Made in China.





## CLR4001

### Rescue vest.

**Item:** CLR4001N

**Color:** Green, Orange and Pink.

Made of 100% polyester high visibility fabric with a 2" wide gray reflective on the front and back. Front "Elephant" type zipper, 22" long.

Resistant up to 60 wash cycles.

One size fits all.

Made in China.

Carton of 100 pieces per color.



VIEW



## CLR7001

### Yellow sport vest with reflective.

**Item:** CLR7001

Composition: 100% Polyester. Ideal for traveling with a bicycle or motorcycle. High Visibility. One size fits all. Carton with 50 pieces. Made in China.



## CLR8000A

### Mesh vest with reflective.

**Item:** CLR8000A

**Presentation:** Lime yellow color with orange bias, it has an upper left bag and 2 lower bags on the sides.

**Sizes:** XL

**Composition:** 100% Polyester

**Protection:** High resistance to tearing and exposure to the sun and thermal changes.



## CLR8000V

### Green safety vest with reflective and closure.

**Key:** CLR8000V

Composition: 90% Polyester, 10% PVC. One size fits all.

Carton: 100 pieces.

Made in China.



**COMING SOON**



## CLR9000V

Green safety vest with reflective and closure.

Item: CLR9000V

Composition: 90% Polyester, 10% PVC.

One size fits all.

Carton: 100 pieces.

Made in China.

**COMING SOON**



## CLREF-MAXI

Black band with green reflective strips high visibility.

Item: CLREF-MAXI

Composition: 90% Polyester, 10% PVC.

Presentation: 1 piece packed in individual plastic bag.

Carton: Box with 100 pieces.

One size

Made in China.

**COMING SOON**



## CLREF-V

Vest with Reflective Band.

Item: CLREF-V

It has a third adjustment belt in the front, with adjustable straps

• Color: Green, Orange and Pink.

• Presentation: 1 piece packed in individual plastic bag

• Carton of 40 pieces

Made in China.



Available colours:  
Green, Pink, Orange.



## CLREF-VLED

Reflective Band with Led Light.

Item: CLREF-VLED

It has a third adjustment belt in the front, with adjustable straps

• Include light led with 3 different configurations

• Color: Green

• Presentation: 1 piece packed in individual plastic bag

Made in China.



## CLR6000A

**High visibility vest with hood.**

**Item:** CLR6000A

Colors: lemon-yellow.

2 "wide reflective gray PVC on front and back.

20 "front zipper

Resistant to sun exposure and thermal changes.

Easy to transport: It compacts in a self-supporting bag.

High resistance to tearing.

Drawstring on the hood.

Area for credential and cell phone or radio.

Composition: 100% polyester.

Carton of 50 pieces. One size fits all.

Made in China.



## CHAQUETIN

**Jacket for welder.**

**Item:** CHAQUETIN

Denim jacket for welder protection prevents burns from weld spatter. Made of high quality denim, good resistance, flexibility and comfort.

Composition 100% cotton.

One size fits all. Presentation

Carton of 20 pieces.

Made in Mexico.



## ROD-01

**Safety knee pads with shock absorbing system.**

**Item:** ROD-01

Composition: 80% Polyester,

20% Polypropylene

Color: Black

Presentation: 24 Pairs per carton

Made in China.



## ROD-02

**Safety knee pads with shock absorbing system**

**Item:** ROD-02

Composition: 80% Polyester,

20% Polypropylene

Color: Black

Presentation: 24 Pairs per carton

Made in China.





## MAB

### Apron against acids.

**Item:** MAB

Made of strong fortotflex nylon canvas, white 68 x 100 cm, with adjustment straps. Ideal for tough jobs where protection against water is needed.

Composition: 100% Nylon.

Carton of 20 pieces.

Made in Mexico.



## MSB

### White vinyl apron.

**Item:** MSB

Made of PVC, white 62x90 cm, with adjustment straps. Ideal for tough jobs where protection against water is needed.

Composition: 100% PVC

One size fits all.

Carton of 20 pieces.

Made in Mexico.



## MPC

### Carnaza breastplate.

**Item:** MPC

Apron made of 100% double greased chrome tanned beef. It is used to protect the welder from the sparks and heat generated by the act of welding. Having as characteristic a good resistance and flexibility, which allows the user to work in conditions of excellent safety and comfort.

Measurements: 76 x 49 cm.

One size fits all. Carton of 20 pieces.

Made in Mexico.



## MANDIL MEZC

### Denim apron with bag 57 x 87 cm, 14 oz.

**Item:** MANDIL MEZC

The denim apron provides protection for those parts where welding sparks can cause injury or for the protection of volatile solid particles in the work area. Splash resistant, for body protection, lightweight and comfortable for the welder to perform operations in any position. 100% cotton with, 60 gauge polyester thread for the protection of the welder, also for splatter and sizzle. One size fits all.

Carton of 20 pieces.

Made in Mexico.



## CUB ZAP ANTIDERRAPANTE



**Non-slip disposable shoe covers**  
**Item:** CUB ZAP ANTI  
 100% polypropylene  
 Color blue  
 Measures Approx: 35 \* 14 cm  
 It has elastic for better fit  
 and pattern on the ground  
 that prevents slipping  
 with the ground.  
 Recommended use in  
 hospitals, food industry,  
 medical consultations, operating rooms,  
 laboratories, factories, etc.  
 Presentation: Carton with 50 pairs.  
 Made in China.

## CUBZAP



**Disposable shoe covers**  
**Item:** CUB ZAP  
 100% polypropylene  
 Color blue  
 Measures Approx: 35 \* 14 cm  
 It has elastic for a better fit.  
 Recommended use in  
 hospitals, industry  
 food, consultations  
 medical, operating rooms,  
 laboratories, factories, etc.  
 Made in China.  
 Presentation: Carton with 50  
 pairs.

## MANDES

**Disposable sleeves.**

**Item:** MAN DES

Color: Blue. Material: 100% Polypropylene.

Measures Approx: 36 \* 20 cm.

It has elastic at the wrist for a better fit.

Recommended use in hospitals, food industry, medical offices,  
 operating rooms, laboratories, factories, etc.

Made in China. Presentation: Carton with 50 pairs.



## ODL

**Disposable coverall.**

**Item:** ODL

Composition: 80% polypropylene, 20% Polyethylene.

White color. Size: XL, XXL.

Made with a special process, to prevent it from peeling  
 prematurely. It has an elastic hood, elastic cuffs and  
 ankles. Made with an elastic at the waist level, for a better  
 elongation and a better fit. Fully ergonomic and loose fitting  
 design for greater comfort. Especially used for protection  
 against particles, liquid splashes, some chemicals, painting  
 areas and general use, etc.

Made in China.

Presentation: Carton with 50 pieces.





**Waterproof High Visibility.**

**Item:** JSPHV-L

Color: lime yellow.

Composition: 98% Polyester, 2% PU.

High visibility raincoat for jacket and pants with double reflective front and back. Ideal for the motorcyclist.

It has a hat built into the base of the bag's neck, which can be stored with a cocktail if not required.

Better fit on wrists and ankles with velcro.

Presentation: Carton with 25 games.

Size: Long

Made in China.



**Waterproof raincoat 2 pieces.**

**Item:** JSPIL

Sizes: MD- L- XL - XXL

Yellow color.

Zip-up jacket with hood and trousers with reflectors and spring adjustment with double reinforcement in shot.

Composition: 80% PVC, 20% Polyester.

Presentation: Carton with 20 games.

Made in China.



**Raincoat 2 pieces.**

**Item:** JSPILBLUE

Sizes: MD- L- XL - XXL

Color blue.

Zip-up jacket with hood and trousers with reflectors and spring adjustment with double reinforcement in the shot.

Composition: 80% PVC, 20% Polyester.

Presentation: Carton with 20 games.

Made in China.



**Hooded waterproof coat.**

**Item:** GIL.

**Sizes:** MD- L- XL - XXL

**Yellow color.**

**Composition:** 80% PVC, 20% Polyester.

Made in P.V.C. with polyester interior and an additional layer of P.V.C. that gives it greater resistance, durability and comfort. High visibility reflective material and sealed in high frequency. They have plastic buttons to prevent oxidation.

**Presentation:** Carton with 25 pieces.

Made in China.



**Hooded waterproof coat.**

**Item:** GIL-NARANJA

**Sizes:** L

**Color:** Orange.

**Composition:** 80% PVC, 20% Polyester.

Made in P.V.C. with polyester interior and an additional layer of P.V.C. that gives it greater resistance, durability and comfort. High visibility reflective material and sealed in high frequency. They have plastic buttons to prevent oxidation.

**Presentation:** Carton with 25 pieces.

Made in China.



**Transparent raincoat.**

**Item:** GIL TRANSPARENT-L

**Composition:** 100% PVC Caliber 0.30 mm.

**Size:** Large

Long-sleeved raincoat with hood.

It has bags on the sides.

**Presentation:** Carton 25 pieces.

Made in China.





## PIL LIGERO

**Portable Waterproof Yellow Poncho type.**

**Item:** PIL LIGERO

100% waterproof PVC

Lightweight: 0.1mm thick

Easy to place and transport. Includes portable bag

2 buttons on each side. Cap with adjustment

Presentation: Carton with 50 pieces.

Made in China.




## PIL

**Capamanga Short raincoat.**

**Item:** PIL

Composition: 80% PVC, 20% Virgin

Polyester Sealed in

High Frequency and Integrated Cap.

They have buttons

plastics to prevent oxidation.

One size fits all. 100% waterproof.

Yellow color

Presentation: Carton with 25 pieces.

Made in China.




## PIL BLACK

**Short Waterproof Coat.**

**Item:** PIL BLACK

Composition: 80% PVC, 20% Polyester

Virgin. High Frequency Sealing and

Integrated Cap. They have plastic buttons

to prevent oxidation.

One size fits all. 100% waterproof.

Color: black.

Carton with 25 pieces.

Made in China.





# EXTINGUISHERS AND SIGNALING

# FIRE EXTINGUISHERS



9 Kg.  
EXTINTOR9



6 Kg.  
EXTINTOR6



4.5 Kg.  
EXTINTOR4.5



2 Kg.  
EXTINTOR2



1 Kg.  
EXTINTOR1



Composition: ABC dry chemical powder.

- A:** Paper, trash and wood.
- B:** Flammable liquids and oil-based paints.
- C:** Electrical Equipment.

Important: In class "C" fires, do not use at voltages higher than 1000 V Nominal Pressure 1.2 MPa.

Presentation: One per box in any size.

- 1- Always recharge the extinguisher after use, with your Authorized Distributor.
  - 2- Inspect at least monthly that the pressure indicator marks in the center of the pressure gauge. (Green area).
  - 3- Inspect that the warranty seal is intact and that the nozzles are not obstructed.
  - 4- Operating temperature -5 °C to 49 °C.
  - 5- The warranty for this device is one year against manufacturing defects.
  - 6- Precautions of "Do not pierce the cylinder" and "Do not expose the extinguisher to direct fire".
- Made in Mexico.



## PT-40



**Pair of 50 cm stops.**

**Item:** PT-40

Made of rubber with reflective tape in yellow.

Resistant to humidity, oil, gasoline and fuel lubricants, temperature variations and ultra violet rays. They will not discolor, crack or rot.

Includes anchors and screws.

Presentation: 50 pairs platform.

Made in Mexico.



## TL-1.78



**Stop for parking of 1.78 meters.**

**Item:** TL-1.78

Made of synthetic rubber with 10 yellow reflective stripes.

Includes plug and screws.

Measurements: 1.78 x 0.14 x 0.10 meters.

Presentation: Package of 2 pieces.

Made in Mexico.



## BOYA

**Item:** BOYA.

Measurements: 20 cm. per side, Height 5.5 cm.

Metal buoy stamped in 10 gauge sheet.

Finished in micro-sprayed yellow color.

Used to delineate islands, exclusive lanes, junctions, roundabouts, bike lanes, limit retention on parking space.

Presentation: Packages of 10 pieces.

Made in Mexico.



## SPECIAL STOPS



P07007



P07025



P07024



P07003



P07027



## CUB CAB

**Covers floor cables.**

**Item: CUB CAB**

Composition 100% Rubber.

Black with yellow colorway.

Measure: 100 x 25 x 5 cm. Gutter size: 100 x 3 x 3 cm.

Presentation: Carton of 2 pieces.

Made in China.




## TRESTLE WET FLOOR

**Easel with "Wet Floor" message**

**Item: IPM01.**

It can be placed in the precise place that you want to point to to guarantee the "reading" of the message.

It is used in places where the soil has fluids that give probability to slip, or just the fact of that the floor has been mopped previously.

Composition 100% Polypropylene.

Presentation: Box with 10 pieces.

Made in China.




## EXPANDABLE BARRIER

**Plastic Expandable Barrier with reflectors**

**Item: BAREX**

Height: 96 cm. Length: open 250 cm. Closed: 34 cm.

Color: Yellow with black and reflective tapes.

Made of 100% Polyethylene for delimitation of areas

Presentation: Box with 4 pieces.

Made in China.





## MESH

**Mesh to delimit areas.**

**Item:** MALLA

Made of 100% polyethylene high density.

Available in orange color.

Fully flexible product.

Measure: 1.20 mts. Wide.

Caliber 0.30 mm. Weight 3.80 kgs.

Sold per roll of 30.5 meters.

Presentation: 88-piece platform.

Made in Mexico.



## PLASTIC CHAIN

**Plastic chain.**

**Yellow**

**Item:** CPL-50A

**Green**

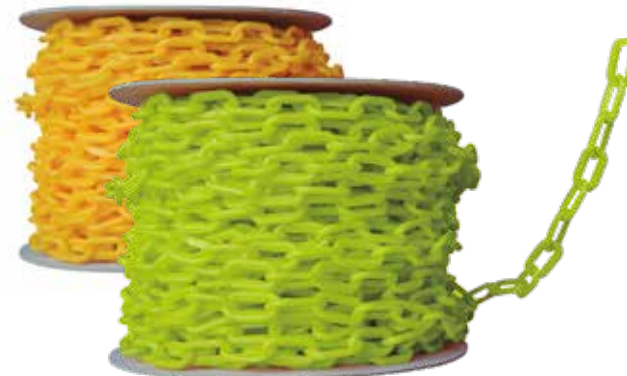
**Key:** CPL-50V

Roll of 50 meters.

Caliber 6 mm.

Box with 8 pieces.

Made in China.



## TAPETE

**Ergonomic mat**

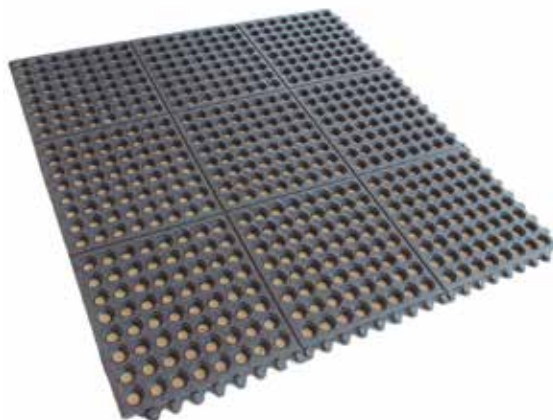
**Item:** TAPETE.

Measures 90 x 90 cm. Black color. Made with premium quality rubber.

Anti-fatigue. Good performance against temperature ranges, from -20°C to 70°C. Resistant to water, mud, detergents, ozone. On the edges it has female or male unions to facilitate the adhesion between mats.

Presentation: Platform of 75 pieces.

Made in Mexico.



## TRAFITAMBO

**Trafitambo with reflective 4 "tape reflective.**

**Item:** TRAF-1

Composition: 100% Polyethylene.

Orange. Total Weight: 4.2 kg.

Measurements: Total Height: 98 cm. Minor

Diameter: 41.5 cm. Greater 59 cm.

Handle: Width 33 cm. Height 5.5 cm.

Presentation: Bundle of 5 pieces.

Made in Mexico.





## PENNANT

High visibility safety flag with reflective band.

Item: BANDERIN C/R IMP

Composition: 100% Polyester



## CONOMINI 23 CMS

Item: CONOMINI 23 cms

Composition: 100% PVC.

Fluorescent orange color.

UV resistant.

It is not flexible with memory, it is rigid plastic.

Presentation: Tied of 10 pieces.

Made in Mexico.



## CICHNR

**Cones with reflective**

Item: CICH40NR / CICH70NR / CICH90R

Signaling cone different sizes, stackable, UV resistant, withstand winds of 70 km / h.

Composition: 100% PVC.

Fluorescent orange color to the base.

Presentation: bundles of 10 pieces

Same size.

Made in China.



45 cm  
CICH40NR



71 cm.  
CICH70NR



CICH90R  
91 cm.

# LOW BARRIER REFLECTIVE

**Low road barrier with reflector.**

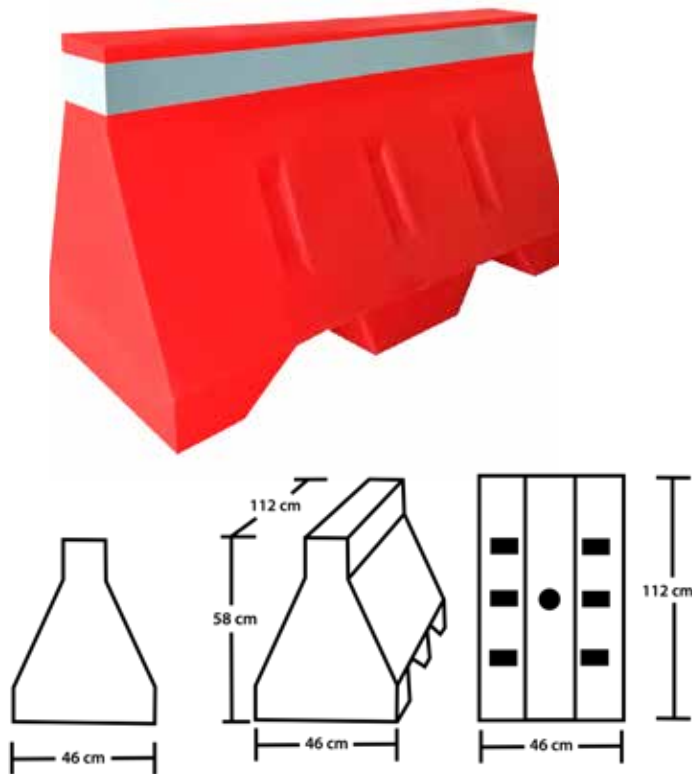
**Item:** BARRERA BAJA-REFLEJANTE

Manufactured by rotational molding process in a single hollow piece. Made of medium density polyethylene with red or orange UV protection.

It has 2 2 1/2 "holes on the sides

Measurement: 112 cm long x 58 cm high x 46 cm wide.

Weight approx. of the piece 8 KG. 4 "wide white engineering grade reflective in horizontal position.



# BARRIER REFLECTIVE

**High road barrier with reflector.**

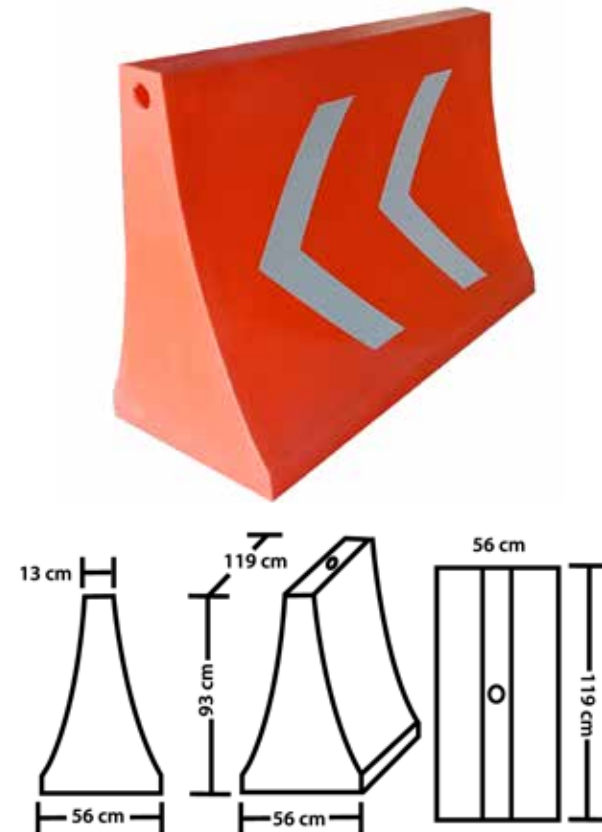
**Item:** BARRERA-REFLEJANTE

Designed by rotational molding process in a single hollow piece. Made of medium density polyethylene with orange UV protection.

It has 2 holes of 2 1/2 "on the sides to load sand.

Measurements: 119 cm long x 93 cm high x 56 cm wide.

Approximate weight. of the piece 14 KG. 4 "wide white engineering grade reflective at arrow position.





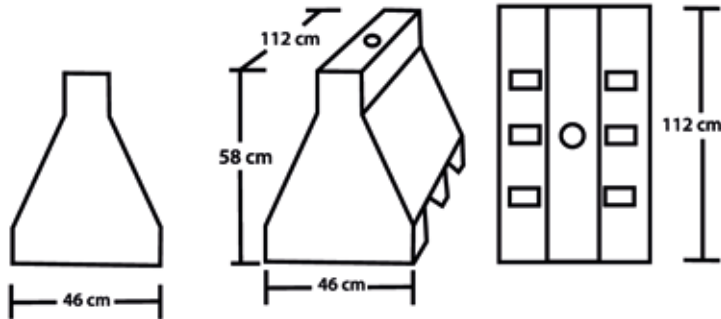


## LOW BARRIER

Barrier vial.

Item: BARRERA BAJA

Manufactured by rotational molding process in a single hollow piece. Made of medium density polyethylene with orange UV protection. Measurement: 112 cm long x 58 cm high x 46 cm wide. With 2 2 1/2 "holes on the sides to load sand. The material is not attacked by acids or alkalis and is resistant to oxidation. Weight approx. of the piece 8 KG.



## BARRIER

High road barrier with reflector.

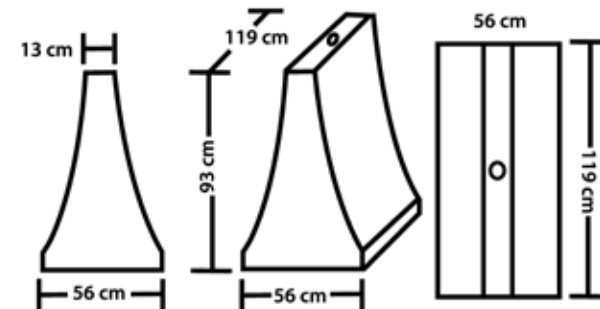
Item: BARRERA

Designed by rotational molding process in a single hollow piece. Made of medium density polyethylene with red or orange UV protection.

It has 2 holes of 2 1/2 " on the sides to load sand.

Measurement: 119 cm long x 93 cm high x 56 cm wide.

Weight approx. of the piece 14 KG.





## STOP

### Stop sign.

**Item:** ALTO

Includes post screw.

Composition: Red polyethylene

Measurements: 30 cm. base, 41 cm.

Tall. With the word STOP for both sides.

Versatile handle for manual use and pole mountable.

Uses: for traffic control, vehicles, aircraft, machinery and pedestrians.

Presentation: Carton with 24 pieces.

Made in Mexico.




## NOT PARK

### NO PARKING sign.

**Item:** NO ESTACIONARSE

Includes post screw.

Composition: Red polyethylene

Measurements: 30 cm. base, 41 cm.

Tall. With the word NO PARKING on both sides.

Versatile handle for manual use and pole mountable.

Presentation: Carton with 24 pieces

Made in Mexico.




## V-LED

### Led violeta.

**Item:** V-LED

With 2 reflectors

reds and solar cells

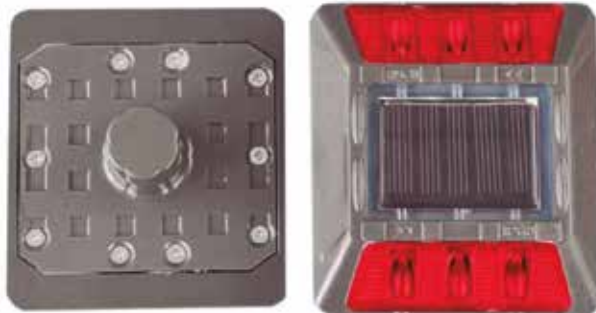
Measurements: 100 x

100 x 20 mm.

Made in China.

carton with 100

pieces.




## POSTE

### STOP sign post.

**Item:** POSTE

Height: 120 cm.

Fluorescent orange color.

UV resistant.

Two reflective bands on the top.

Hexagonal base of 43 cm, reinforced black PVC of 5kgs.

It has an upper handle and a hole to pass plastic chain and screw the vial paddle.

Its base is solid with great resistance to tumbling.

Presentation: Carton with 25 pieces.

Made in Mexico.



## PLASTIC PALLETS

### Yellow plastic vialet

**Item:** V-A.

With 2 yellow reflectors

Measurements: 100 x 100 x 20 mm.

Made in China.

Carton with 100 pieces.

### White plastic trowel

**Key:** V-B.

With 2 white reflectors

Measurements: 100 x 100 x 20 mm.

Made in China.

Carton with 100 pieces.



V-A



V-B

## BANDERIN TRAC

### Rigid flag for tractor.

**Item:** BANDERIN TRAC

Made of elastomer.

Saves memory of its original shape.

Fade and fire retardant UV protector. Steel cane.

Greater resistance against corrosion in a saline environment.

Presentation: Carton with 25 pieces.

Made in Mexico.



## SIGNAGE TAPE

### Signaling Tape.

Composition: 100% Polyethylene.

Measurements: 3 "Inches by 305 m.

400% elongation before breaking.

Presentation: Pallet of 500 pcs per model.

Made in Mexico.



BPR

BPE

BPP

## LPL

### Flashing Led lamp for traffic.

**Item:** LPL.

Composition: 100% PP.

Function: flashing 95 ± 5 times / minute

Power: 1.2V 1,500mAh Ni-MH rechargeable battery

Made in China.

Presentation: Carton with 12 pieces.





# CARTEL



Item: 93  
USE OF FACE MASKS



Item: 187  
SOCIAL DISTANCE



Item: 188  
USE OF FACE SHIELD



Item: 214  
CORONAVIRUS PREVENTION MEASURES



Item: 136



Item: 25



Item: 15H



Item: 73



Item: 17G

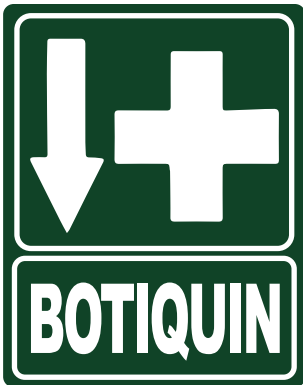


Item: 9

Models are available in 30 gauge styrene.  
Individual presentation. Measurements 28.5 x 36 cm.



Item: 157



Item: 77



Item: 101



Item: 113



Item: 8



Item: 23



Item: 179



Item: 180



Item: 19



Item: 185



Item: 186

## **POSTER PHOTOLUMINESCENT**

Models are available in 30 gauge styrene.  
Individual presentation with Photoluminescent. Measurements: 40 x 20 cm.



Item: 179 FL



Item: 180 FL



Item: 185 FL



Item: 186 FL



Item: 47



Item: 137



Item: 138



CARTELS-CH (31 x 40 cm)



CARTELS-GA (45 x 60 cm)



Item: 104



Item: 13



Item: 167



Item: 22



CARTEL SIMAR GD (76 x 60 cm)



Item: 38



Item: 43



Item: 6



Item: 3



CARTEL SIMAR CH (40 x 30 cm)

LICA®

UNIFORMS





## BAB/100

**100% cotton white coat.**

**Item:** BAB / 100

Made of Cotton +/- 270gr in white fabric. Sizes: CH-XL.

Mother-of-pearl button closures.

Design is unisex, for laboratory.

Presentation: Carton of 20 pieces per size.

Made in Mexico.




## BAA/100

**Short sleeve industrial gown.**

**Item:** BAA / 100.

Composition: 100% Cotton.

Double stitching and 3 bags with hidden button.

Color: Navy Blue Sizes: CH-XL.

Presentation: Carton of 20 pieces per size.

Made in Mexico.




## CAM-100



**Long sleeve shirt.**

**Item:** CAM-100%

Composition: 100% cotton. Color: Khaki or Blue. Sizes: CH-XL.

Easy to remove stains, absorbent fabric, wide adjustment on the shoulders and in the length of sleeves, vaulted sleeve opening, wide sleeve.

Presentation: Carton of 20 pieces per size per color.

Made in Mexico.




## CAM-MEZC

**CAM-MEZC-L**

**CAM-MEZC-C**



**Long or short sleeve denim shirt.**

Sizes: CH-XL. Composition: 100% Cotton. Stone medium. 7/2 oz.

Denim shirt to protect the body from any inclement weather, sparks, burrs, and as well as for the industry in general.

Presentation: Carton of 20 pieces per size per type.

Made in Mexico.





## CAM-OXFORD

Long-sleeved shirt for Men.

**Item:** CAM-OXFORD

Due to its thicker fabric and weave, the Oxford Shirt is very stretchy and durable.

Composition: 100% Cotton  
40% Polyester.

Sizes: CH, MD, GD and XL.

Color: Sky blue.



**COMING SOON**



## PANT-POL

Tactical pants for police.

**Item:** PANT-POL

Special design for security guards ideal for outdoor activities and daily use. Security label inside to indicate user contact details. Reinforced metal closure, 6 tear resistant bags.

Composition: 65% Polyester, 35% Cotton.

Sizes: 30, 32, 34, 36, 38.

Color: Black.



**COMING SOON**



## PANT-MEZ-MOD

Carpenter type cargo pants.

**Item:** PANT-MEZ-MOD

Work denim trousers with traditional carpenter-style pockets and metal fastening. With hammer holder, designed with 6 tear resistant bags.

Composition: 90% Cotton,  
10% Polyester.

Sizes: 30, 32, 34, 36, 38.

Navy colour.



**COMING SOON**



## PANT-REF-NG

High visibility reflective police pants.

**Item:** PANT-REF-NG

Special pants for security guards ideal for outdoor activities and daily use. Reinforced metal closure, 4 reinforced pockets and high visibility reflective tapes at the knees.

Composition: 65% Polyester 35% Cotton

Sizes: 30, 32, 34, 36, 38.

Color: Black



**COMING SOON**



## CAM-MEZ-REF

**Denim shirt with reflective tapes.**

**Item:** CAM-MEZ-REF

Long sleeve. 7/2 oz.

To protect the body from any inclement weather, sparks, as well as for the industry in general, it has reflective tapes to give visibility to the user in low light conditions.

Sizes: CH-XXL

Composition 100% Cotton.

Presentation: Carton of 20 pcs. by size.

Made in Mexico.



## OVE100

**Long Sleeve Overalls.**

**Item Blue:** OVE100A

**Item Orange:** OVE100N

Colors: Orange and blue.

Sizes: 36-50.

Sizes adapted to be worn comfortably over clothing.

Composition: 100% Cotton.

Presentation: Carton of 20 pieces by size and by color.

Made in Mexico.



OVE100N

OVE100A



## OVER100

**Long Sleeve Reflective Coverall.**

**Item:** OVER-R-100

Color blue. Sizes: CH-XXL

Sizes adapted to be worn comfortably over clothing.

Composition 100% Cotton.

Presentation: Carton of 20 pieces per size.

Made in Mexico.



## CHOVE-REF

**Item:** CHOVE-REF

Composition: 100% cotton

Sizes: CH-XXL

Loose-fit design, made with 100% cotton heavy-duty fabric that provides comfort and resistance at the same time. Elastic fit, with 2 chest pockets and 2 easy-access side pockets. It has a concealed snap closure to the front. Security label inside to indicate important user data and contact in case of emergency. Navy colour.

Presentation: Carton of 20 pieces per size.

Made in China.





## PANT-DAMA

**Denim jeans for women.**

**Item:** PANT-DAMA.

Washed and smoothed. Cowboy cut with closure and metal fittings. They have reinforced seams, small stitch, specially manufactured with fine fabrics, suitable for their high durability.

Composition: 100% Cotton.

Presentation: Carton of 30 pieces per size.

Made in Mexico.



## PANT-DENIM

**LICA denim jean trousers.**

**Item:** PANT-DENIM.

Denim 14 oz. Washed and smoothed.

Cowboy cut with closure and metal fittings.

It has reinforced seams, small stitch, specially manufactured with fine fabrics, suitable for its high durability.

Sizes: 28-50

Composition: 100% Cotton.

Presentation: Carton of 30 pieces per size.

Made in Mexico.



## PANT100

**100% cotton trousers**

**Item:** PANT-100

Sizes: 30 - 44.

Colors: Khaki and navy blue. No cargo bags. They have reinforced seams, small stitch, specially manufactured with fine fabrics, suitable for its high durability.

Presentation: Carton of 20 pieces per size and color.

Made in Mexico.



## PANT-DENIM-R

**LICA denim jeans with reflective.**

**Item:** PANT-DENIM-R

Denim 14 oz. Washed and smoothed.

Cowboy cut with closure and metal fittings. It has reinforced seams, small stitch, specially made with fine fabrics, suitable for its high durability.

Sizes: 30-44. Composition: 100% Cotton.

Presentation: Carton of 30 pieces per size.

Made in Mexico.





## JACKET AND COLD PANT

### Thermal Jacket and Pants for Cold Rooms.

Made with an outer fabric of 100% waterproof nylon and an intermediate synthetic wool lining that forms a thermal barrier that reduces the user's heat loss by blocking the entry of cold. Jacket features detachable waterproof cap, fleece lining with adjustable drawstring, 5 pockets, front zipper, cardigan cuff and waist for adjustment. The pants have two pockets. Recommended for working in cold conditions indoors and outdoors down to -30 ° C. such as meat packers, cold rooms, freezers, slaughterhouses, outdoor work, such as vendors, security guards, etc.

Made in Mexico.

Sizes: MED-XL for Jacket and XL for Trousers.

Presentation: 4 sets per box.



CHAMARRA

PANTALON



## CARGO-AZ

### Item: CARGO-AZ

Composition: 80% Polyester, 20% Cotton

Sizes: 30-42

Italian design made with materials that prevent wear, managing to provide comfort and resistance at the same time. Side elastic adjustment for greater comfort and reinforcement fabric on knees for use with knee pads. It has a security label inside to indicate important user data and contact in case of emergency. Navy colour.

Made in China.

Presentation: Carton of 20 pieces per size.



VIEW



## CARGO-PREMIUM

### Key: CARGO-PREMIUM

Composition: 80% Polyester, 20% Cotton

Color: Black

Sizes: 30-42

Italian design made with materials that prevent wear, managing to provide comfort and resistance at the same time. Side elastic adjustment for greater comfort and reinforcement fabric on knees for use with knee pads. It has a security label inside to indicate important user data and contact in case of emergency.

Made in China.

Presentation: Carton of 20 pieces for size.



VIEW



## PANT-CARGO

### Cargo work trousers

#### Item: PANT-CARGO

It has reinforced seams and rear and side cargo pockets. It has additional bags for tools, radios and work items.

With spring on the sides of the waist for a better fit.

It has double fabric at the knees to place knee pads.

Sizes: 30-42

Composition: 80% Polyester and 20% Cotton

Presentation: Carton of 20 pieces per size.

Made in China





LICA®

FALL  
PROTECTION



**CERTIFICATION**  
EN:358-1999

**ANSI**  
American National Standards Institute  
ANSI-Z359.1-1992

**CE**  
CE-EN:361-2002



**Harness with "D" ring on the back.**

**Item:** ARN-L

When suffering a fall, the full body harness distributes the force applied to the worker's body in the buttocks, shoulders, chest, and torso. Made of 1 3/4 wide band. Sliding "D" ring on the back. Adjustable chest and leg straps. Quick connect buckles. Available with QR safety and tap buckles. Height adjustable chest strap. Subpelvic strap. Composition: 100% Polyester. Made in China. Presentation: 10 pieces per carton.



**CERTIFICATION**  
EN:358-1999

**ANSI**  
American National Standards Institute  
ANSI-Z359.1-1992

**CE**  
CE-EN:361-2002



**Harness with back "D" ring and shock absorber impact cable with 1/2 "diameter nylon rope.**

**Item:** ARN-LV-L

Color: Yellow.

Basically an article that combines the attributes of L-RNA and L-C-RNA. These equipments must be connected to structures that are capable of resisting 2,268 Kg. Made in China.

Presentation: 10 pieces per carton.



# ARN-DIELEC-L

CERTIFICATION  
EN:358-1999



**Harness with "D" ring on the back. Dielectric.**



**Item:** ARN-DIELEC-L

Harness designed to protect against falls in work at height, with dielectric hardware.

Made of 1 3/4 wide band. Sliding "D" ring on the back. Adjustable chest and leg straps. Quick connect buckles. Available with QR safety and tap buckles. Height adjustable chest strap. Subpelvic strap.

Composition: 100% Polyester. Made in China.  
Presentation: 10 pieces per carton.



# ARN-5A-L

CERTIFICATION  
EN:358-1999



**Harness with five D-rings for positioning.**

**Item:** ARN-5A-L

This covers the system against falls, the rescue and suspension.

Made of 1 3/4 wide band. Sliding "D" ring on the back. Adjustable chest and leg straps. Quick connection buckles. Available with QR safety and tap buckles. Height adjustable chest strap. Subpelvic Belt. Description: With "D" ring on the back. With "D" rings on the sides of the belt. Rings "D" on the shoulders.

Composition: 100% Polyester. Made in China.  
Presentation: 10 pieces per carton.



# ARN-HVL

CERTIFICATION  
EN:358-1999

**ANSI**  
American National Standards Institute  
ANSI-Z359.1-1992

**CE**  
CE-EN:361-2002



## High visibility reflective safety harness.

**Item:** ARN-HVL.

Designed to protect against falls in work at height.

Hi-Vis headband with 1 "reflective strip and absorbent edges.

It has 1 "D" ring on the back and sides. 4 adjustment points, 2 on legs, 1 on the waist and 1 on the chest. It implements reflective tape and an eye-catching color in its design. Designed to facilitate quick remote monitoring even in the dark (the light of a hand torch will be enough to make the reflector shine).

Presentation: 10 pieces per carton.

Made in China.



# ARN-CONF-L

**ANSI**  
American National Standards Institute  
ANSI-Z359.11

**CE**



## Padded safety harness.

**Item:** ARN-CONF-L

Material: 100% Polyester. Colour. Black red

1 "D" ring in the back area with comfortable padding.

2 loops on the chest and thighs for an easy and comfortable fit.

2 "D" rings on the waistband. Comfortable pad in the waist area,

shoulder area and thighs. Drop Indicator Seams (Security Seals)

Resists up to 23KN.

Designed according to CE standards

Presentation: 5 pieces per carton.

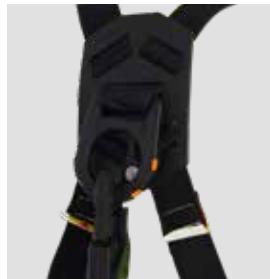
Made in China.



**M** **ARN-ARAMIDA**



**ANSI**  
American National Standards Institute  
ANSI-Z359.1-2014



**Fire retardant harness**

**Item:** ARN-ARAMIDA

Band width: 45mm.

Material: Kevlar.

Color: black

1 D-ring on the back with 5-point adjustment.

Electric arc resistant metal accessories.

Resistance:> 23K

Packaging: polypropylene bag

Made in China.

Carton: 10 pieces



**ANSI**  
American National Standards Institute  
ANSI-Z359.1-2014

**M** **C-ANI-2**

**CERTIFICATION**  
EN:358-1999



**Belt with backrest and D-ring on the sides.**

**Item:** C-ANI-2

Positioning System. 1 3/4 "wide high tenacity polyester band with two side D-rings, forged tapped belt buckle and absorbent edge band for added comfort. 136 kg capacity. 4 "wide back with textile lining.

Composition: 100% Polyester.

Presentation: 20 pcs. per carton.

Made in China.



**M** **C-ANI-3**

**CERTIFICATION**  
EN:358-1999



**Belt with backrest and D-ring on the side and back.**

**Item:** C-ANI-3

Positioning System. 1 3/4 "wide high tenacity polyester band with three side D-rings, forged tapped belt buckle and absorbent edge band for added comfort. 136 kg capacity. 4 "wide back with textile lining. Composition: 100% Polyester. Made in China.

Presentation: 20 pcs. per carton.



**ANSI**  
American National Standards Institute  
ANSI-Z359.1-2014



**ANSI**  
American National Standards Institute  
ANSI-Z359.1-2014

**CE**  
CE-EN:361-2002  
**CERTIFICATION**  
EN:358-1999



**Nylon Cable Band 1 ".**

**Item:** LVB-1-8

Length 1.83 mts. Manufactured with double locking steel hooks at both ends. Designed for positioning activities. Holds all workers in place with their hands free to perform their work, on a raised vertical surface such as a wall, window, or pole. It should not be used to avoid falls. Made in China. Presentation: Carton of 20 pieces.



**ANSI**  
American National Standards Institute  
ANSI-A10.14-1991



**Nylon cable (1/2 "rope).**

**Item:** LVC-1.8

Line: Safety Cable of 1.83 meters length. System: Positioning. Not recommended to stop falls. Material: 1/2 " diameter nylon rope. (Optional 5/8 " diameter rope) Hooks: made of steel with double safety mechanism. Length: 1.83 mts. White color. Weight: 780 grs. Capacity: 136 kg. Made in China. Presentation: Carton of 20 pieces.



**ANSI**  
American National Standards Institute  
ANSI-Z359.1-2007



**90cm fixed point with two rings.**

**Item:** PFL

Made of polyester band, it has a "D" ring at both ends. Ring made of steel with zinc and dichromate coating, average drop force of 900 lbs. 140kg capacity. 1 3/4 band. For construction work, scaffolding, building cleaning and maintenance, rescue situations, general use, fall arrest. Presentation: Carton with 20 pieces. Made in China.



**ANSI**  
American National Standards Institute  
ANSI-Z359.1-2014



**Shock absorber with 1/2 " diameter nylon rope cable.**

**Item:** C-ARN-L

Hooks: Steel with double safety mechanism. Marked according to ANSI standard. Max Fall Force: 408KG (900LB) Length: 1.83 mts. Maximum Elongation: 42 " Color: Red with white cable. Capacity: 100 kg. Made in China. Presentation: Carton with 20 pieces.



## BARN-L



### Shock absorber.

**Item:** BARN-L

With nylon cord, 1-inch thick band, double-secure hooks at the ends. The cable band is impregnated with a resin for durability and abrasion resistance. This type of belt is excellent for applications where the worker requires frequent movement. Length: 1.83 m.

Presentation: Carton with 20 pieces.

Made in China.



## B2-ARN-L



### Standard Double Arm Flat Band Shock Absorber

**Item:** B2-ARN-L

It is an integral part of a basic fall arrest system. Along with the full body harness and anchorage device, the specific function of the Shock Absorber is to dissipate the energy that is generated in a fall. It should never be substituted for restraining or positioning cables.

Presentation: Carton with 20 pieces.

Made in China.



### Elastic band and hook lifeline.

**Item:** LVB-1GG

It consists of a hook with a resistant security system up to 3600lb. One shock absorber, one 3600lbs forged hook. 45mm wide elastic band. Length 1.8 mts. Made in China.

Presentation: Carton with 20 pieces.



## SJT-15

### Holds tools.

**Item:** SJT-15

Designed to avoid falling objects.

Width 15mm length: 11.5 + 58 + 11.5 CM

A hook of: 4.6 x 60 MM

Load resistance: 5LBS

Packaging: Polypropylene bag.

Presentation: Carton 100 pieces.

Made in China.





## LVB-LV

### Kevlar elastic band

**Item:** LVB-LV

45MM + energy absorber +1 hook  
(American Type) + Long hook  
(American Type)

Length 1.3 meters Extended length  
1.8 meters

Electric arc resistant metal  
accessories.

Packaging: Polypropylene bag.  
Made in China.



## LVL-10

### Lifeline with safety hook.

**Item:** LVL-10

Composition: 100% Polyester

Capacity: 3.1 lbs (140kg)

Length: 10 mts.

Certifications:

ANSI Z359.1-Z359.32017

CE: EN3561: 2002

EN358: 1999

Carton: 10 pieces

Made in China.



## LVB-2GG

### Lifeline with elastic band and double hook.

**Item:** LVB-2GG

Material. Polyester

Band width 25 mm

Maximum length 150 cm

Minimum length 2 meters

With shock absorber

Hook opening 2 "

2 large hooks

Resists up to 23 KN

Made in China.

Presentation: Carton with 10 pieces.



## GR101

### Grips 14mm rope.

**Item:** GR101

Grips 14mm rope.

Composition: 45 # steel  
alloy steel.

Resistance 16 KN

Made in China

Carton: 30 pieces.



## LICA-KIT



**Item:** LICA-KIT

It includes:

- ARN-L harness,
  - Buffer B-ARN-L
  - Fixed point PFL. and backpack.
- Presentation: Carton with 10 kits.  
Made in China.

## LRL-6M

**Retractable lifeline.**

**Item:** LRL-6

Designed to limit deceleration and free fall distance as well as arresting forces.  
Housing Material: High-strength ABS  
Working length: 6M  
Maximum stopping distance: 1010MM  
Maximum stopping force: 4Kn  
Capacity (CE): 100kgs.  
State of care: 5 kgs.  
Static resistance: 12kN with 3 minutes.  
Certification: CE EN360-2002



## LRL-2M

**Retractable lifeline.**

**Item:** LRL-2

Designed to limit deceleration and free fall distance as well as arresting forces.  
Housing Material: High-strength ABS  
Dyneema cinch: 1 '  
Working length: 2M  
Maximum stopping distance: 54 inches  
Maximum stopping force: 6Kn  
Capacity (CE): 100kgs.  
State of care: 5 kgs.  
Static resistance: 15kN with 3 minutes.  
Certification: CE EN360-2002





# ANTISTATIC





# ANTISTATIC BOOT

**NOM**  
113 - STPS - 2009

**Item:** 107ANTI / 107ANTIBCO

Color: Black and White

Insole: Shaped EVA.

Bullón: Textile.

Helmet: Polyamide.

Strong Last: EEE.

Linings: Textile

Upper: Polished leather. Thickness 1.8-2.0 mm.

Presentation: Borgegui 6 "

Sole: Injected monodensity PU / PU.

Manufacturing: Direct injection to the cut.

Sizes: 23-30 only whole points.

Carton: 20 pairs.

Made in Mexico.



107ANTI

107ANTIBCO

**\* ORDER WITH MINIMUM PURCHASE 100 PAIRS**



# GLESD

**Antistatic glove with PU coating.**

**Item:** GLESD

Sizes from 6-10

Composition: Polyester 54%

PU 45%, Copper 1%.

Polyurethane palm

Knitted cuff  
edged, seamless.

Carton with 120 pairs.

Made in China.

**CE EN388 3131**

**TOUCH  
SCREEN**



**360°  
VIEW**



## MUÑEQUERA

**Antistatic wrist strap.**

**Item:** MANTI

Protect the devices you're repairing from static electricity. This wrist strap comfortably adjust to your wrist and prevents you from damaging smartphones, tablets and other sensitive electrostatic discharge (ESD). Slip the strap on your wrist and attach the crocodile clip to a metal surface to provide a ground source and stop all shocks cause by ESD.

Current limiting

Resistor: 1M ohm +/-5%

Electro-scattering

Time:0.1 seconds

Presentation: Carton

100 pieces



## ESD ANTI-STATIC ANKLE HEEL STRAP

**Adjustable Heel Electronic Discharge Band Ground Foot.**

**Item:** TANTI

Made of 2mm Antistatic Rubber, with elastic at the junction of the heel, which serves for a better fit to the footwear.

Resistant, washable and reusable.

Used to release static electricity from the human body without static electricity. Anti Static grounding cord without static charges from human body to protect electronic devices sensitive to static discharge from static damage.

Application: the product is suitable in various electronic industries.

Presentation: Carton 250 pieces



## ESD ANTI-STATIC LAB COAT

**ANTI-STATIC COAT**

**Item:** STK-5000

Sizes: CH, MD, GD, EG

ESD Lab Cot Anti-Static Coarment, lapel collar, long sleeves. 1 bayon the chest and 2 on each side.

Recommended in electrostatic protective areas, especially in clean rooms and very dy enviroments.

Presentation: Carton 50 pieces







# ACCESSORIES AND CLEANING

## SPONGE



050-059

### LICA polishing sponge (neutral)

**Item:** 050-059

Cleaning sponge with natural waxes for leather footwear.

Shine in a single pass.

Long duration

Presentation: Carton of 6 pieces

Made in Mexico.



050-058

### LICA cleaning sponge

**Item:** 050-058

Cleaning sponge with natural waxes for suede footwear, nubuck and suede.

Shine in a single pass.

Long duration

Presentation: Carton of 6 pieces.

Made in Mexico.



050-056

### LICA oiled skins sponge

**Item:** 050-056

Cleaning sponge with natural waxes for leather footwear grease. Shine in a single pass.

Long duration

Presentation: Carton of 6 pieces.

Made in Mexico.

## SHOELACES

### Heavy duty and durable shoelace for boots.

**Item:** AGUJETA-C for brown lace and AGUJETA-N black color.

Perfect for work boots and kiking shoes.

Composition: high-strength cord-type nylon.

Length of 150 centimeters.

Presentation: Package of 72 pairs.

Made in Mexico.





## INSOLE

### Ergonomic Memory Foam insole.

Non-deformable anatomical insole. Avoid bad smell, fungi and bacteria. Ergonomic, antiperspirant and hygienic. Padding in the metatarsal area. Anatomical arch. Padded heel for shock absorption. To use, place the non-deformable template with the fabric facing up, trim the templates with scissors if necessary. Replace your templates after 3 months of use. Sizes: CH, MD, GD. Presentation: Carton with 1 pair. Made in Mexico.



## PROTECT LIQUID SHOE POLISH

### Liquid shoe wax. Bottle with sponge. Black color.

Item: EL-LP-01

Item: EL-LP-03

Liquid product to renew the color of leather footwear.

Presentation: Carton of 6 pieces.

Made in Mexico.



## REPELLENT

### LICA brand water and stain spray repellent.

Item: APP-103

It allows to waterproof any item of leather, nubuck, suede, fabric or canvas. Protects from water and oil or grease stains. Suede and nubuck are delicate materials due to their fibrous textures, they easily absorb liquids and retain dirt. Made in Mexico.



## CLEANER

### LICA neutral suede and nubuck spray cleaner

Item: ARP-02-NT

Revive the color of suede and nubuck footwear in a few minutes with an easy distribution to match the color by hiding stains. To use, gently brush the cover over the surface of the footwear to remove dust or adhering dirt. Spray 15 cm. away on the surface of clean and dry footwear. Apply over the entire surface of clean and dry footwear. Let dry about 15 minutes. Once dry, use the brush cap to comb and smooth the hair of the material. Presentation: Box of 6 pieces. Made in Mexico.



## FIRST AID CABINET

**Wall mount first aid kit white metal storage box lockable.**

Small size: 29cm x 22.5cm x 13cm

Large size: 36.5cm x 26cm x 13cm

Presentation: Large First Aid Kit box of 10 pieces.

Presentation: Small First Aid Kit.

Carton of 16 pieces.

Made in Mexico.



BOTIQUIN GDE



BOTIQUIN CH



## DESINFECTANT SPRAY

**Sanitizing and antibacterial spray.**

**Item:** DESINFECTANTE-1LT

70% Ethyl Alcohol 96°

Eliminates 99% of viruses and bacteria.

Presentation: 1lt.

Made In Mexico.



## FLOOR STICKER

**Social distancing floor decal sticker**

**Item:** VIN-MSD

Ideal for crowd control.

Non-slip and resistant.

6-month warranty against wear.

Made In Mexico.



## SANITIZING FOOTBATH MAT

### Shoe sanitizing Mat

**Item:** TAPETE-SANITIZA-NEG

Black color

PCV Material (Virgin)

With three different cavities to avoid spills. Designed to thoroughly clean any type of footwear. It guarantees a good cleaning of the sole no matter how deep it is. It does not require large amounts of liquid for its effectiveness.

Measurements: 58 cm x 58 cm.

Presentation: 1 piece.

Made In Mexico.



## GEL ANTIBACTERIAL

### Hand sanitizing gel.

**Item:** GEL-ANTI250ML

**Item:** GEL-ANTI1LT

70% Ethyl Alcohol 96° Eliminates 99% of viruses and bacteria.

Presentation: 1lt and 250 gr.

Made in Mexico.



250ML

1LT

 [WWW.LICA.MX](http://WWW.LICA.MX)  333 832 2892  TEL. +52 (33) 3 145 2353  
 INDUSTRIA NAVIERA 104 PARQUE IND. EL COLLI ZAPOPAN, JAL. MÉX. 45069

    LICA\_TEAM